



HEFEI BRANCH OF JIANGSU KAIYISI BUILDING MATERIALS TECHZ
TEL: 0551-65637619 MOBILE PHONE: 18555510001
FAX: 0551-65637619 EMAIL: KAIYISIDOOR@GMAIL.COM
WEBSITE: WWW.KAIYISIDOOR.COM
ADDRESS: 948 FUYANG ROAD, LUYANG DISTRICT, HEFEI CITY





COMPANY RESUME



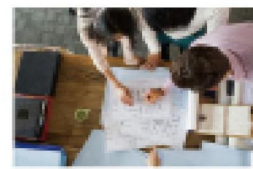
KAIYISI Company won the Excellence Award in the annual product selection



Was awarded the Industry Emerging Award



After five years of market accumulation, the company's business has grown rapidly, occupying an important market share in this category of products in the industry



Registered and established in Hefei, obtained the business license issued by the China Insurance Regulatory Commission.



Sales exceeding 5 million in 2013



Launch the first unique and innovative product



Established KAIYISI Hefei branch in 2017



Obtained dual software certification and passed ISO9001:2018 certification



The overall sales revenue of the company has exceeded 100 million yuan



Expand business areas



The service quality has been improving year by year, and the business volume has ranked first in the region, with a growth of 30% compared to the same period last year



Won multiple important awards in the industry, established a good reputation, and promoted the company to enter a new stage



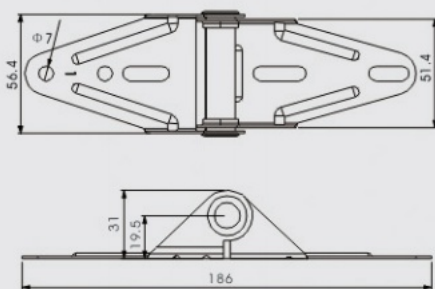
Actively expanding overseas markets and taking the first step towards internationalization by leveraging the advantages of e-commerce platforms



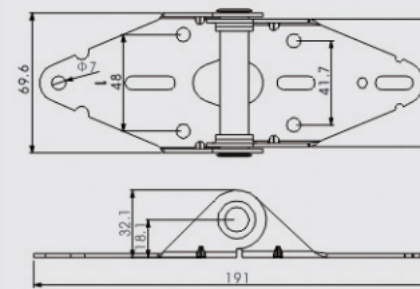
客户为本，服务至上
Clients First, Service Best

目录 Contents

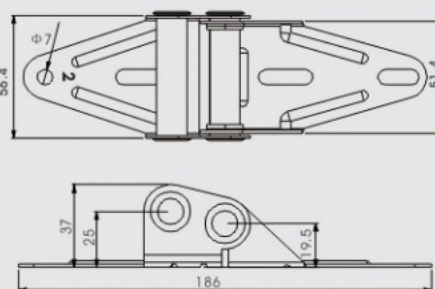
合页 Hinge & Door Bracket Series	14
支架 Bracket Series	23
安全装置 Safety Device Series	25
提手 Lift Handle Series	27
插销 Latch Series	29
葫芦 Chain Hoist Series	31
联轴器 Coupler Series	32
滚轮 Roller Series	35
绞盘 Cable Drum Series	41
其他 Miscellaneous Series	47



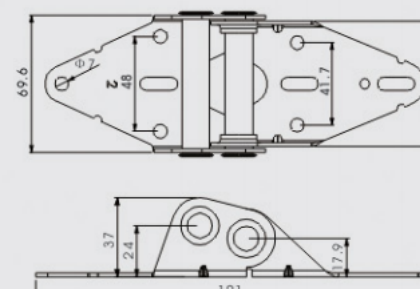
LM-H10001
品名:美式1#小合页
DEC:1#Hinge
Material:Zinc Plating
Thickness:1.2mm



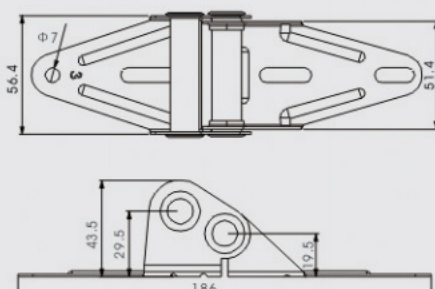
LM-H10006
品名:1#合页
DEC:1#Hinge
Material:Zinc Plating
Thickness:1.8mm/2.0mm



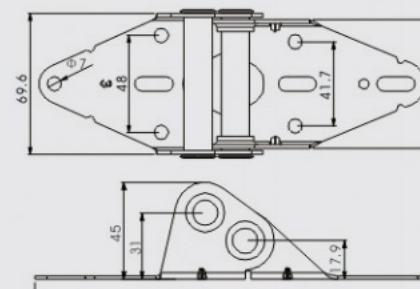
LM-H10002
品名:美式2#小合页
DEC:2#Hinge
Material:Zinc Plating
Thickness:1.2mm



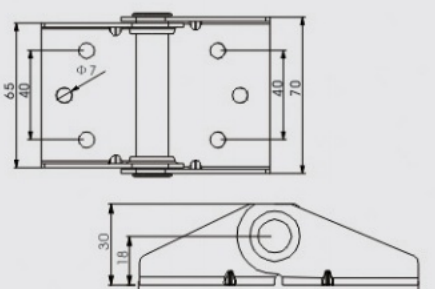
LM-H10007
品名:2#合页
DEC:2#Hinge
Material:Zinc Plating
Thickness:1.8mm/2.0mm



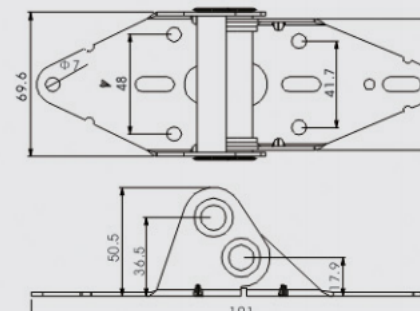
LM-H10003
品名:美式3#小合页
DEC:3#Hinge
Material:Zinc Plating
Thickness:1.2mm



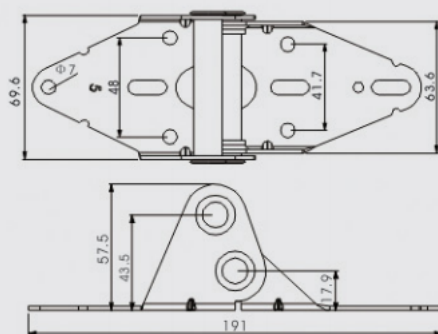
LM-H10008
品名:3#合页
DEC:3#Hinge
Material:Zinc Plating
Thickness:1.8mm/2.0mm



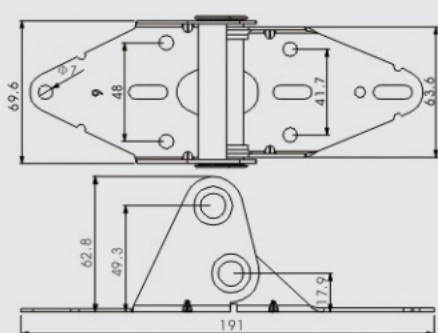
LM-H10005
品名:0#合页
DEC:0#Hinge
Material:Zinc Plating
Thickness:1.8mm



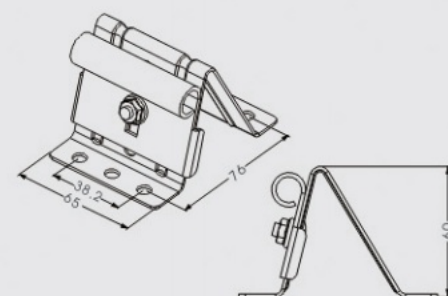
LM-H10009
品名:4#合页
DEC:4#Hinge
Material:Zinc Plating
Thickness:1.8mm/2.0mm



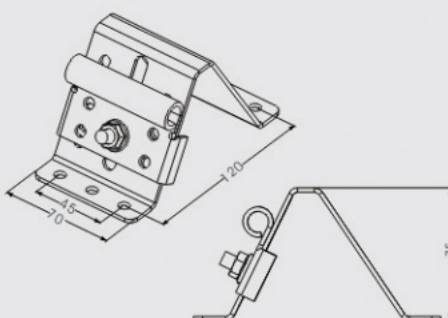
LM-H10010
 品名:5#合页
 DEC:5#Hinge
 Material:Zinc Plating
 Thickness:1.8mm/2.0mm



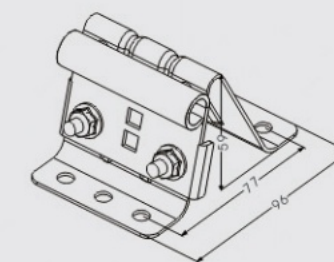
LM-H10011
 品名:6#合页
 DEC:6#Hinge
 Material:Zinc Plating
 Thickness:1.8mm/2.0mm



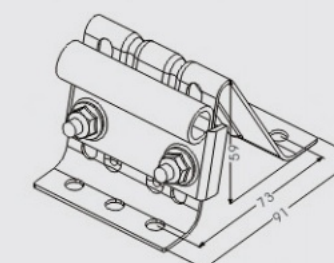
LM-H10012
 品名:民用顶轮支架
 DEC:Residential Top Bracket
 Material:Zinc Plating
 Thickness:1.5mm
 The Thickness of
 Roller Carrier:2.0mm



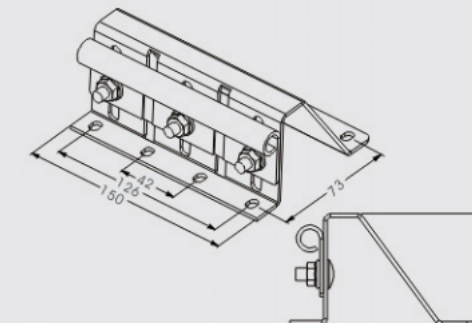
LM-H10014
 品名:商用顶轮支架
 DEC:Industrial Top Bracket
 Material:Zinc Plating
 Thickness:2.3mm



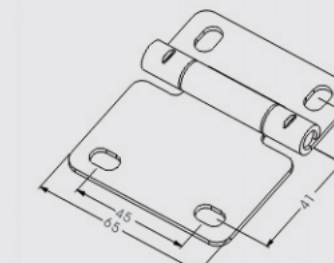
LM-H10015
 品名:民用顶轮支架 (两个螺丝)
 DEC:Residential Top Bracket
 Material:Zinc Plating
 Thickness:1.5mm
 The Thickness of
 Roller Carrier:2.0mm



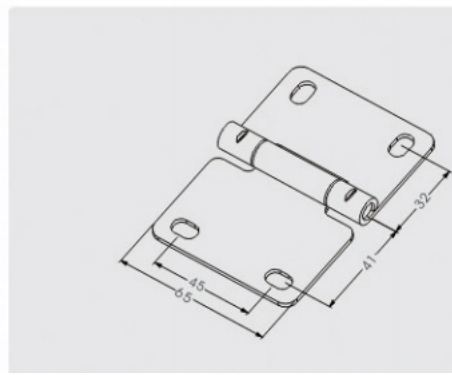
LM-H10016
 品名:双凸包顶轮支架 (两个螺丝)
 DEC:Residential Top Bracket
 Material:Zinc Plating
 Thickness:1.5mm
 The Thickness of
 Roller Carrier:2.0mm



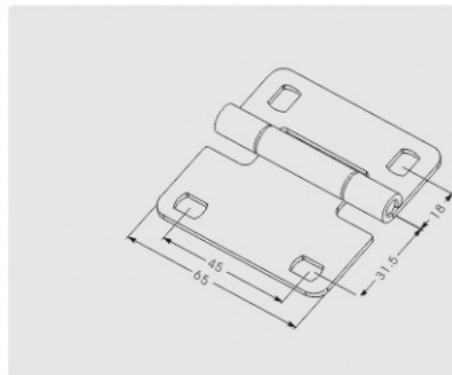
LM-H10017
 品名:连体顶轮支架
 DEC:Industrial top Bracket
 Material:Zinc Plating
 Thickness:2.5mm



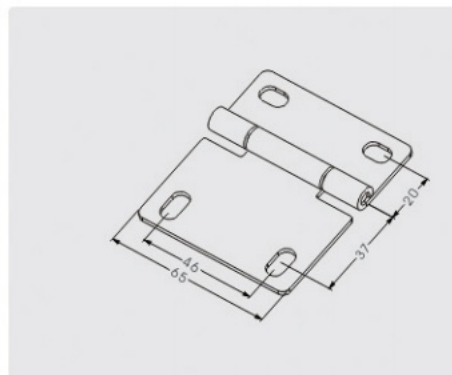
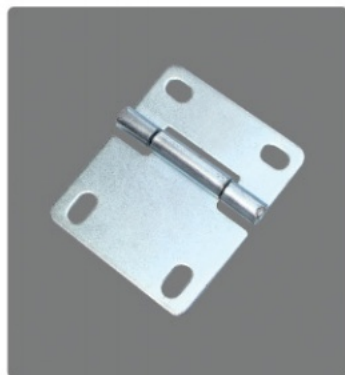
LM-H20002
 品名:中心百页
 DEC:Center Hinge
 Material:Zinc Plating
 Thickness:One Side is 2.0mm,
 The Other Side is 2.5mm



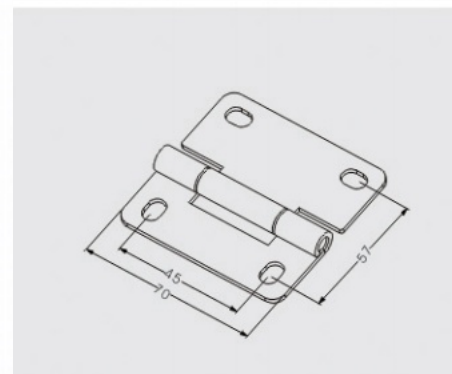
LM-H20003
品名:中心百页
DEC:Center Hinge
Material:Zinc Plating
Thickness:One Side is 2.0mm
The Other Side is 2.5mm



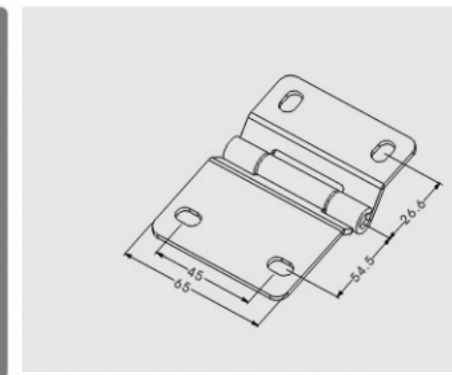
LM-H20004
品名:中心百页
DEC:Center Hinge
Material:Zinc Plating
Thickness: 2.5mm



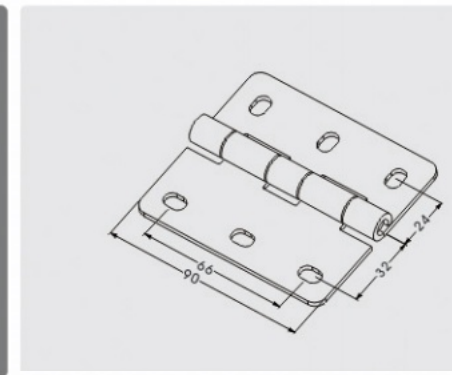
LM-H20005
品名:中心百页
DEC:Center Hinge
Material:Zinc Plating
Thickness: 2.0mm



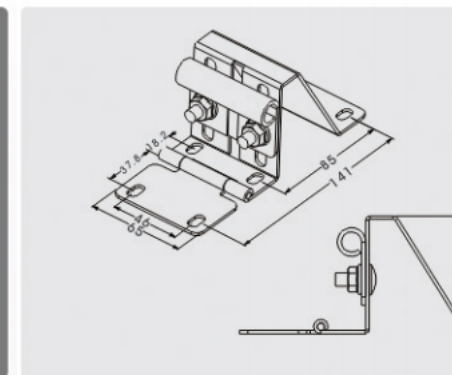
LM-H20007
品名:中心百页
DEC:Center Hinge
Material:Zinc Plating
Thickness: 2.5mm



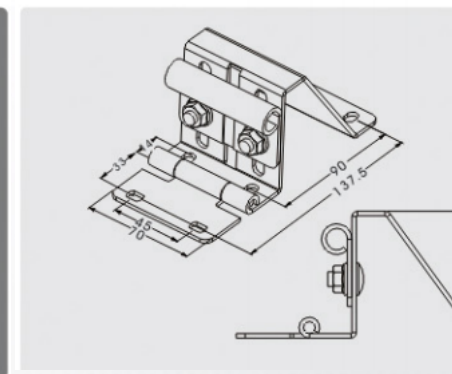
LM-H20008
品名:中心百页
DEC:Center Hinge
Material:Zinc Plating
Thickness: 2.3mm



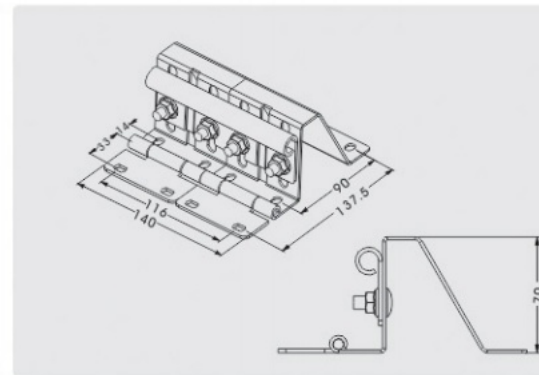
LM-H20009
品名:中心百页
DEC:Center Hinge
Material:Zinc Plating
Thickness: 2.5mm



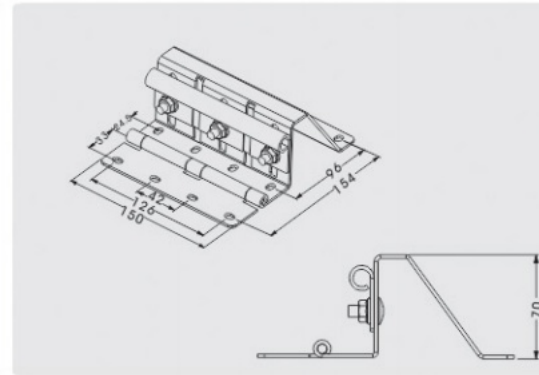
LM-H20010
品名:边铰链
DEC:Side Hinge
Material:Zinc Plating
Thickness: 2.0mm



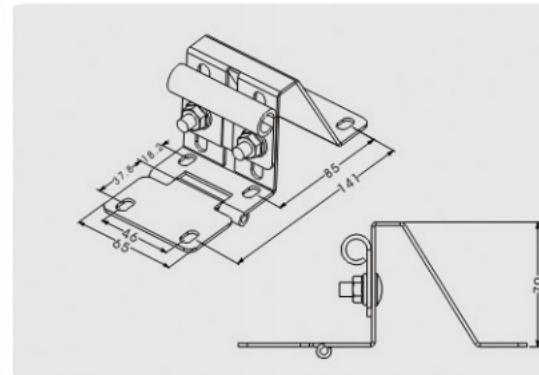
LM-H20011
品名:边铰链
DEC:Side Hinge
Material:Zinc Plating
Thickness: 2.5mm



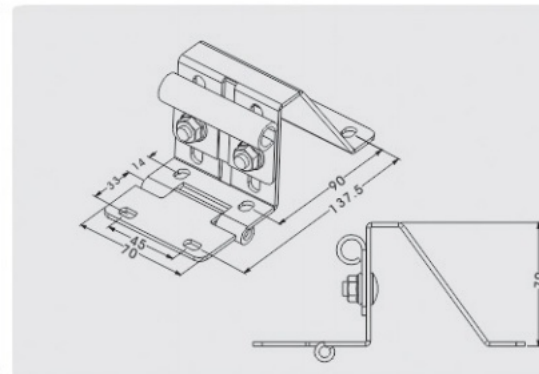
LM-H20012
品名:双排边铰链
DEC:Double Side Hinge
Material:Zinc Plating
Thickness: 2.5mm



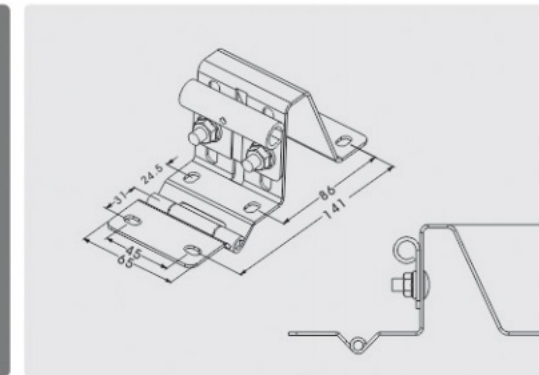
LM-H20013
品名:大边铰链
DEC:Double Side Hinge
Material:Zinc Plating
Thickness: 2.5mm



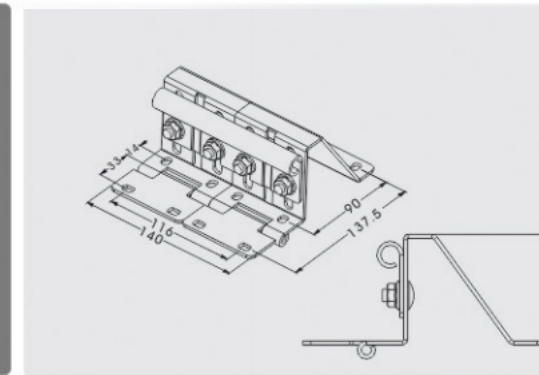
LM-H20014
品名:防夹手边铰链
DEC:Hand-pinching
Prevention Side Hinge
Material:Zinc Plating
Thickness: 2.0mm



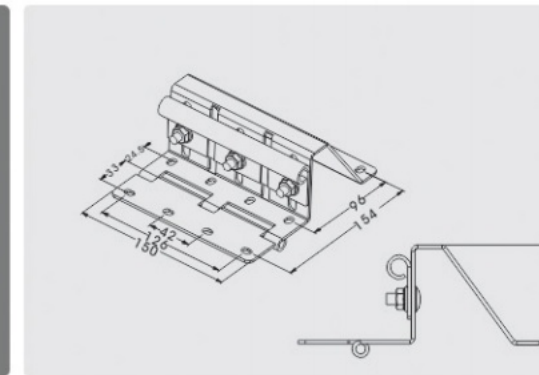
LM-H20015
品名:防夹手边铰链
DEC:Hand-pinching
Prevention Side Hinge
Material:Zinc Plating
Thickness: 2.5mm



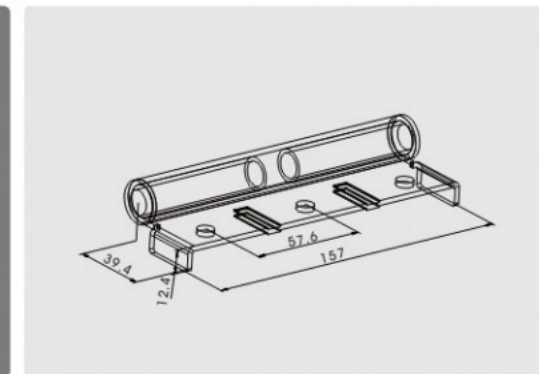
LM-H20016
品名:防夹手边铰链
DEC:Hand-pinching
Prevention Side Hinge
Material:Zinc Plating
Thickness: 2.3mm



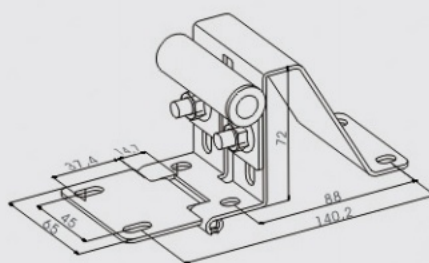
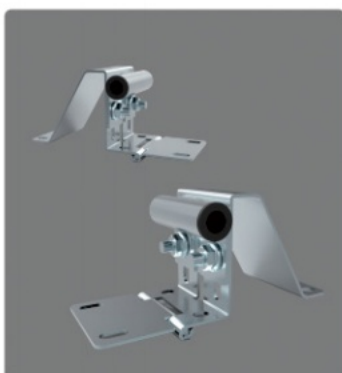
LM-H20017
品名:双排防夹手边铰链
DEC:Double Hand-pinching
Prevention Side Hinge
Material:Zinc Plating
Thickness: 2.5mm



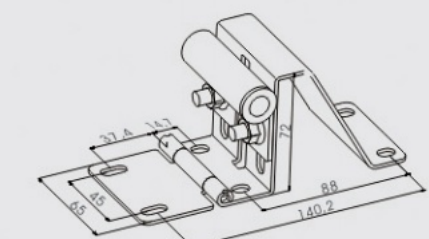
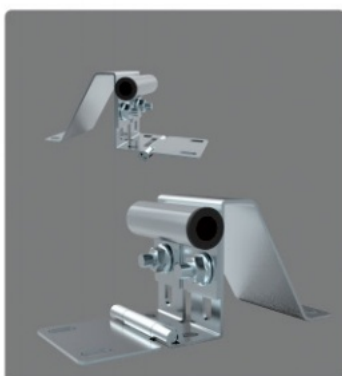
LM-H20018
品名:大防夹手边铰链
DEC:Double Hand-pinching
Prevention Side Hinge
Material:Zinc Plating
Thickness: 2.5mm



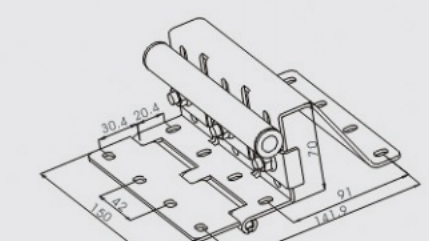
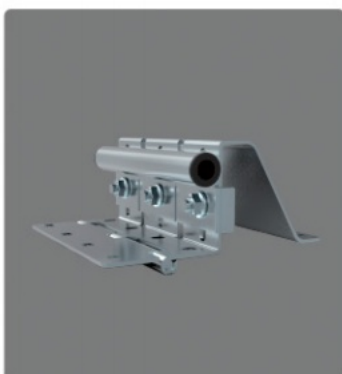
LM-H20019
品名:滑块带静音套管
DEC:Roller carrier
Material:Zinc Plating
Thickness: 2.5mm



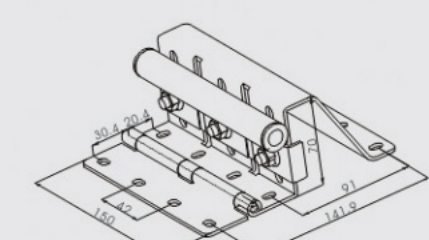
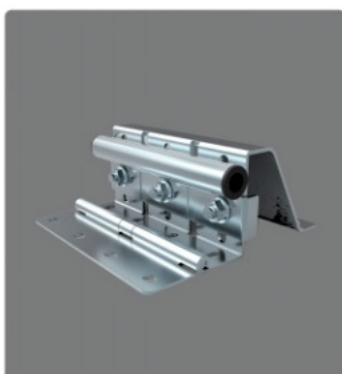
LM-H20020
品名:防夹手边铰链带静音套管
DEC:Hand-pinching prevention
Side Hinge with plastic tube
Material:Zinc Plating
Thickness: 2.0mm
Unit:Pair



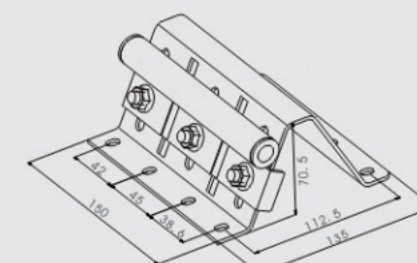
LM-H20021
品名:边铰链带静音套管
DEC:Side Hinge with
plastic tube
Material:Zinc Plating
Thickness: 2.0mm
Unit:Pair



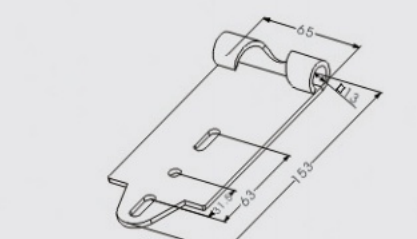
LM-H20022
品名:大防夹手带静音套管
DEC:Double Hand-pinching
prevention side Hinge with
plastic tube
Material:Zinc Plating
Thickness: 2.5mm



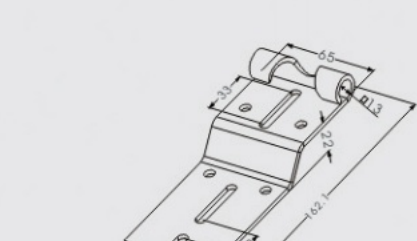
LM-H20023
品名:大边角链带静音套管
DEC:Double Side Hinge
with plastic tube
Material:Zinc Plating
Thickness: 2.5mm



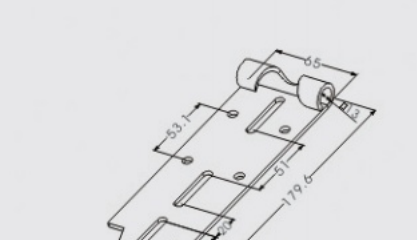
LM-H20024
品名:连体顶轮支架带静音套管
DEC:Industrial Top Bracket
with plastic tube
Material:Zinc Plating
Thickness: 2.5mm



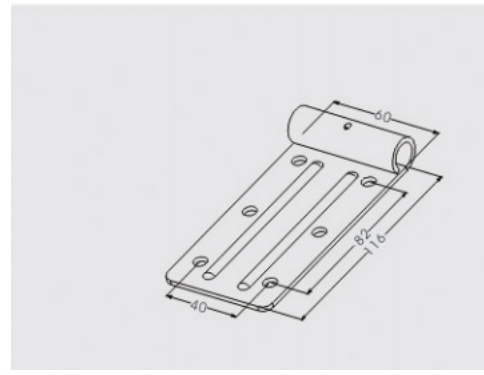
LM-H30001
品名:双轨顶部支架
DEC:Double Track
Top Bracket
Material:Zinc Plating
Thickness: 3.0mm



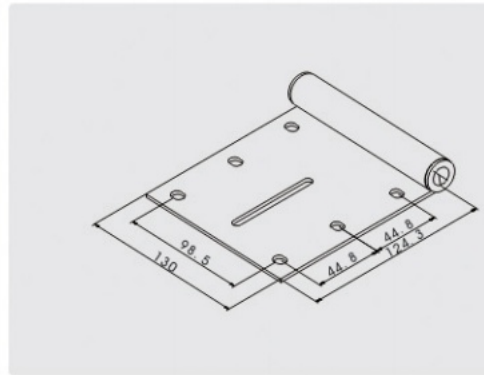
LM-H30002
品名:加长双轨顶部支架(折弯)
DEC Lengthen Double Track
Top Bracket
Material:Zinc Plating
Thickness: 3.0mm



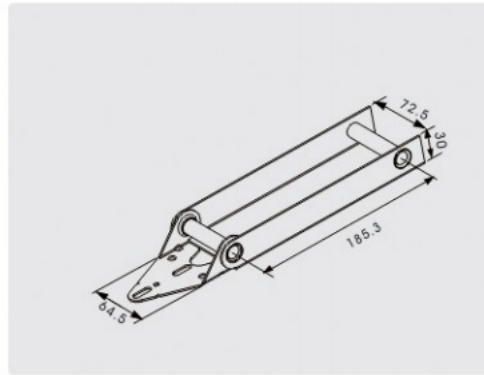
LM-H30003
品名:加长双轨顶部支架
DEC:Lengthen Double Track
Top Bracket
Material:Zinc Plating
Thickness: 3.0mm



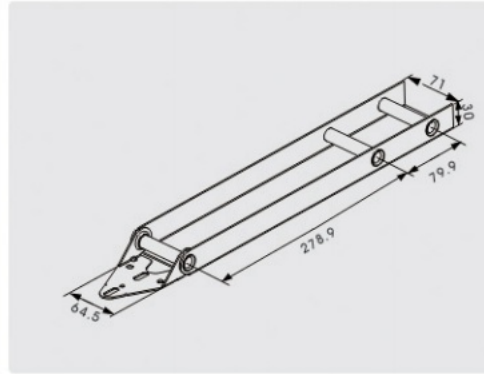
LM-H30004
品名:民用顶部支架
DEC:Residential Top Bracket
Material:Zinc Plating
Thickness: 2,5mm



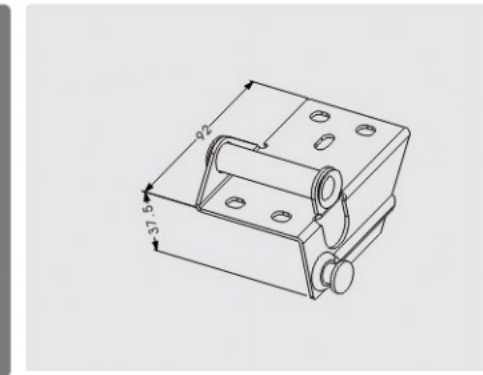
LM-H30005
品名:民用顶部支架
DEC:Residential Top Bracket
Material:Zinc Plating
Thickness: 2.5mm



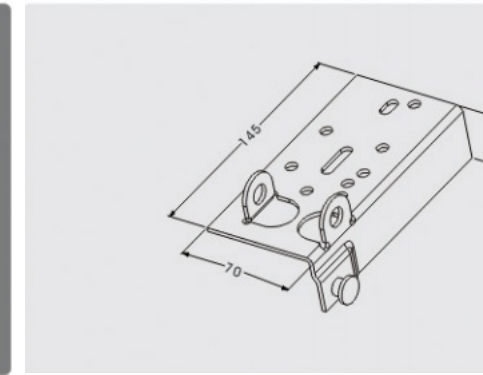
LM-H30006
品名:双轨代替件(220MM)
DEC:Angle
Material:Zinc Plating
Thickness: 2.0mm



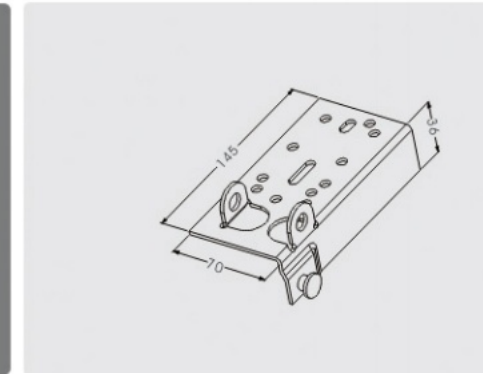
LM-H30007
品名:双轨代替件(400MM)
DEC:Joint Angle
Material:Zinc Plating
Thickness: 2.0mm



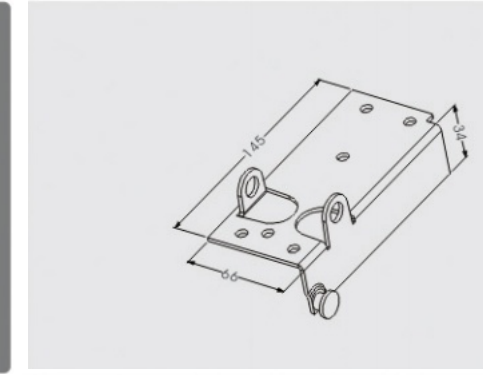
LM-H40001
品名:带管子底部支架
DEC:Residential Top Bracket
Material:Zinc Plating
Thickness: 1.8mm
Unit:Pair



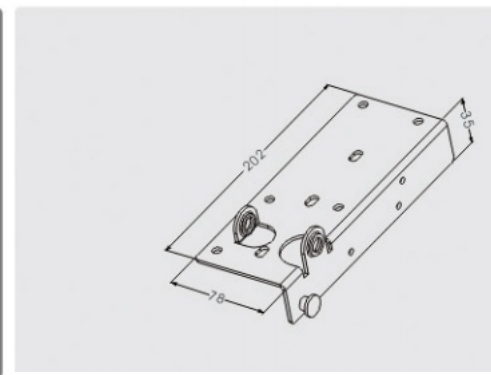
LM-H40002
品名:多孔底部支架
DEC:Bottom Bracket
Material:Zinc Plating
Thickness: 2.0mm
Unit:Pair



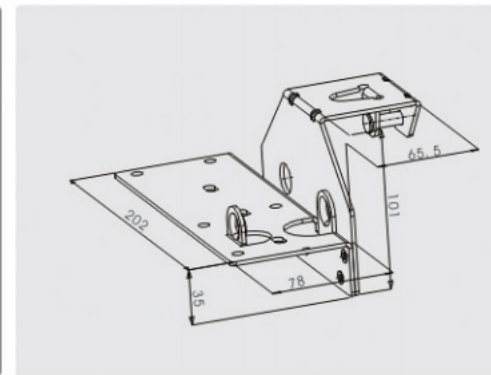
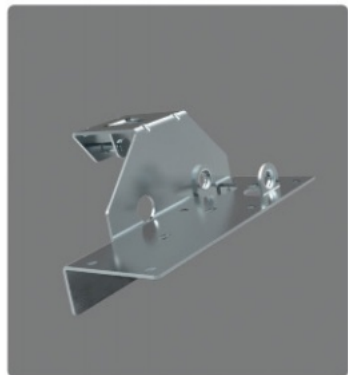
LM-H40003
品名:多孔底部支架
DEC:Top Bracket
Material:Zinc Plating
Thickness: 2.3mm
Unit:Pair



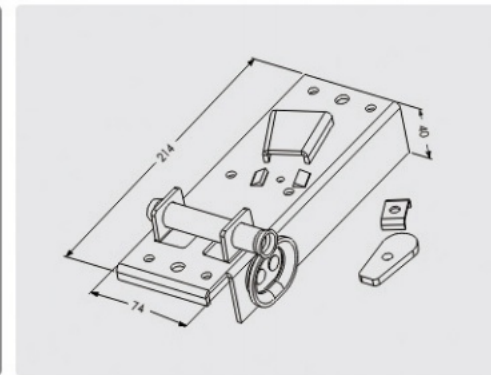
LM-H40004
品名:多孔底部支架
DEC:Top Bracket
Material:Zinc Plating
Thickness: 2.0/2.3/2.5mm
Unit:Pair



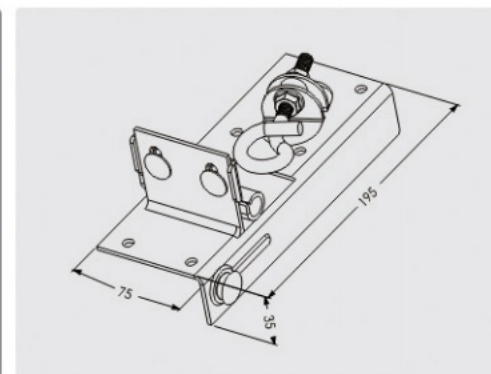
LM-H40005
品名:商用底部支架
DEC:Commercial Bottom Bracket
Material:Zinc Plating
Thickness: 2.5mm
Unit:Pair



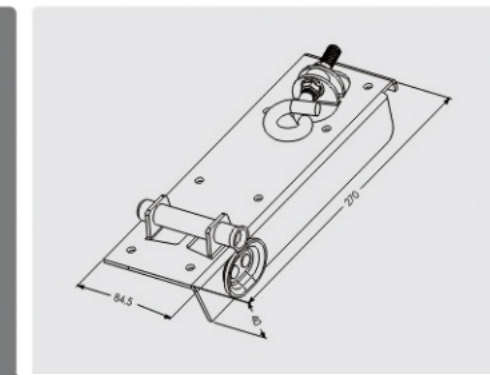
LM-H40006
品名:重工业底部支架
DEC:Industrial Bottom Bracket
Material:Zinc Plating
Thickness: Base Plate is 2.5mm
The Back Plate is 3.0mm
Unit:Pair



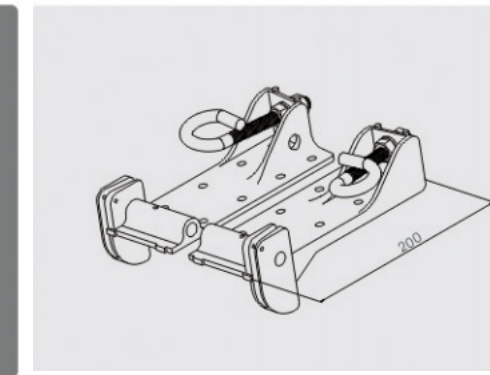
LM-H40007
品名:可调底部支架
DEC:Industrial Bottom Bracket
Material:Zinc Plating
Thickness: 3.0mm
Thickness of Tube:1.8mm
Unit:Pair



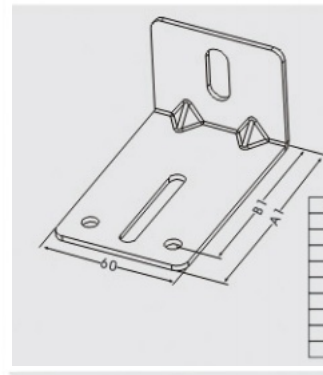
LM-H40008
品名:可调底部支架
DEC:Industrial Bottom Bracket
Material:Zinc Plating
Thickness: 2.5mm
Unit:Pair



LM-H40009
品名:可调底部支架
DEC:Industrial Bottom Bracket
Material:Zinc Plating
Thickness: 3.0mm
Thickness of Tube:1.8mm
Unit:Pair

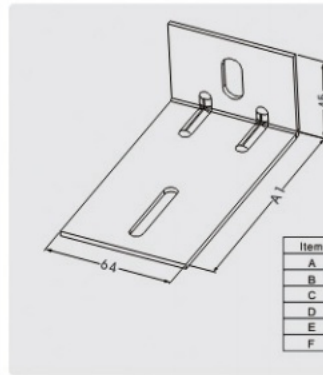


LM-H40010
品名:铝底部支架
DEC:Aluminum Adjustable Bottom Bracket
Material:Aluminum
Unit:Pair



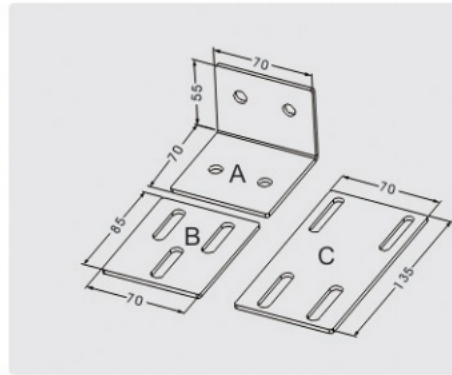
Item	A1	B1
A	76.7	63.5
B	83.1	69.9
C	89.4	76.2
D	95.8	82.6
E	102.1	88.9
F	108.5	95.3
G	114.8	101.6
H	121.2	108.0
I	127.5	114.3

LM-B10001 A/B/C/D/E/F/G/H/I
 品名:侧面支架
 DEC:Side Bracket
 Material:Zinc Plating
 Thickness: 2.5mm
 Length:A76.7/B83.1/C89.4
 /D95.8/E102.1/F108.5/G114.8
 /H121.2/I127.5(mm)

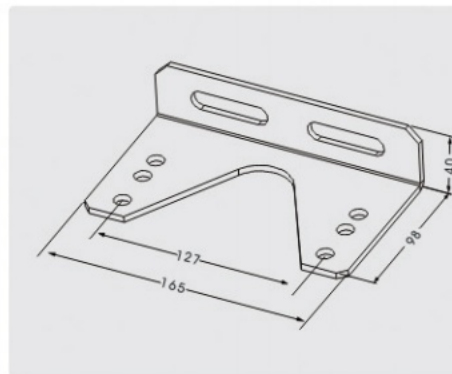


Item	Specification	A1
A	Q235/T=2.5	76MM
B	Q235/T=2.5	93MM
C	Q235/T=2.5	104MM
D	Q235/T=2.5	115MM
E	Q235/T=3.0	165MM
F	Q235/T=3.0	180MM

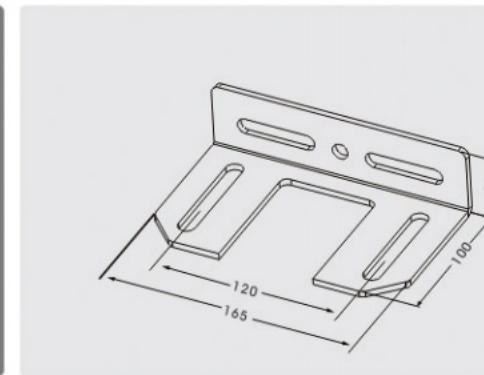
LM-B10002 A/B/C/D/E/F
 品名:侧面支架
 DEC:Side Bracket
 Material:Zinc Plating
 Thickness: 2.5mm
 Length:A76/B93/C104
 /D115/E165/F180(mm)



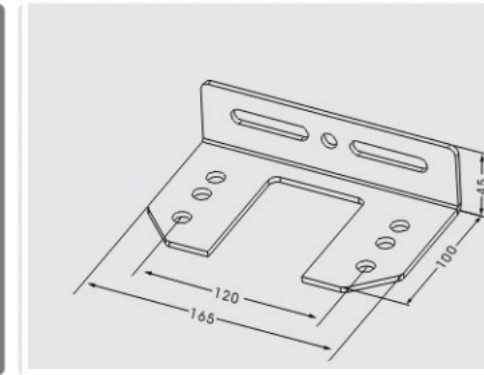
LM-B10003 A/B/C
 品名:侧面支架
 DEC:Side Bracket
 Material:Zinc Plating
 Thickness: 3.0mm



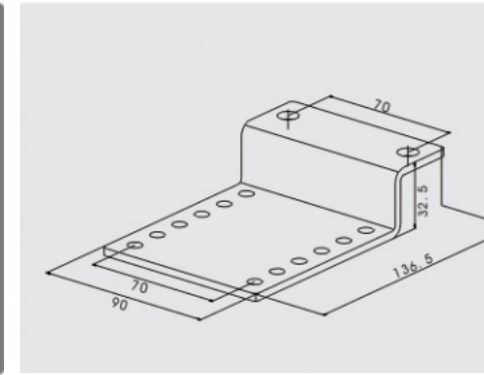
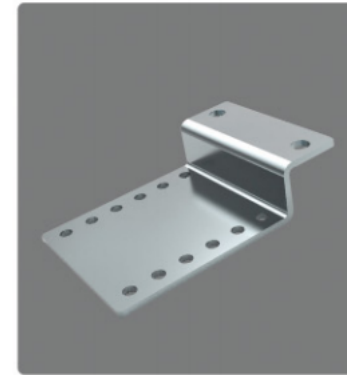
LM-B20001
 品名:调节支架
 DEC:Adjustable Bracket For
 Spring Break Device
 Material:Zinc Plating
 Thickness: 4.0mm



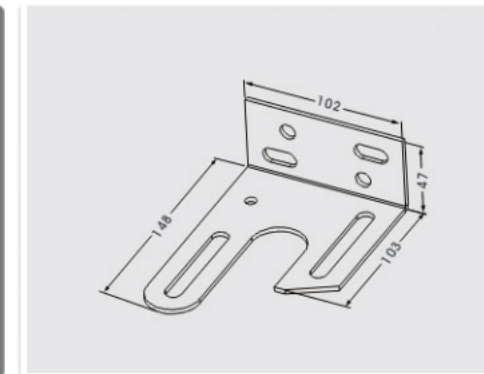
LM-B20002
 品名:扭簧防断调节支架
 DEC:Adjustable Bracket For
 Spring Break Device
 Material:Zinc Plating
 Thickness: 4.0mm



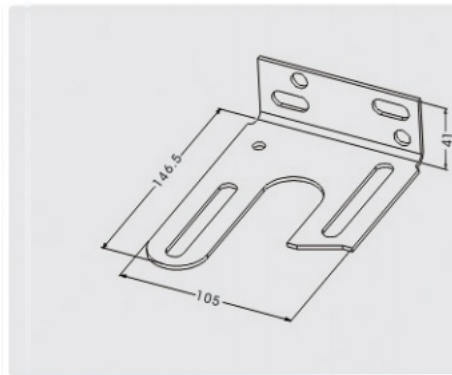
LM-B20003
 品名:扭簧防断调节支架
 DEC:Adjustable Bracket For
 Spring Break Device
 Material:Zinc Plating
 Thickness: 4.0mm



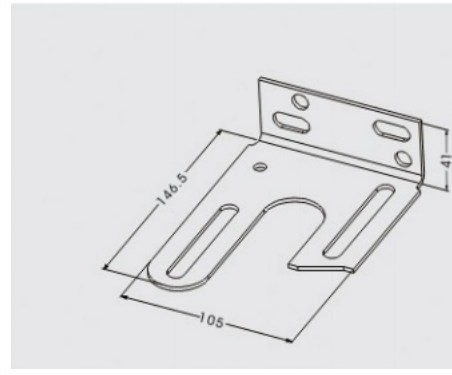
LM-B20004
 品名:助推器延伸支架
 DEC:Plate buffer Bracket
 Material:Zinc Plating
 Thickness: 3.75mm



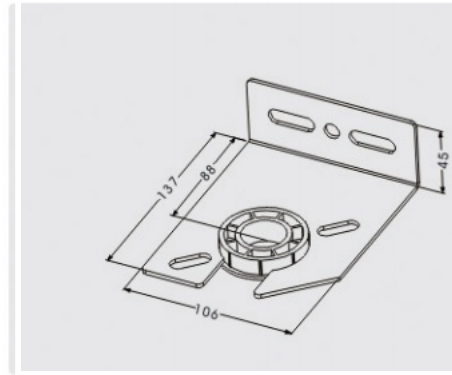
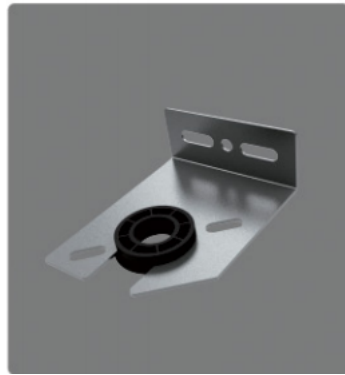
LM-B30001
 品名:外弹簧中间托架
 DEC:Adjustable Bearing
 Bracket
 Material:Zinc Plating
 Thickness: 2.5/3.0mm
 Unit:Pair



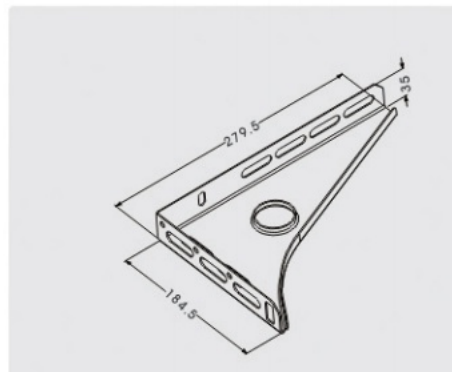
LM-B30002
品名:外弹簧中间托架
DEC:Adjustable Bearing Bracket
Material:Zinc Plating
Thickness: 2.5mm
Unit:Pair



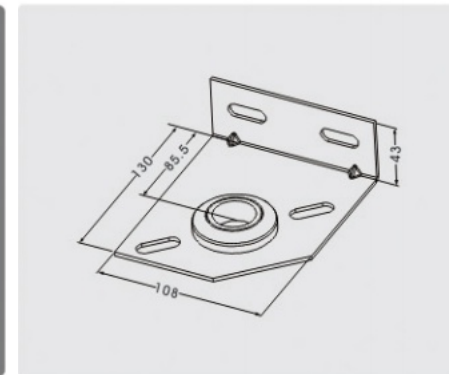
LM-B30003
品名:扭簧防断调节支架
DEC: Adjustable Bearing Bracket
Material:Galvanize
Thickness: 3.0mm
Unit:Pair



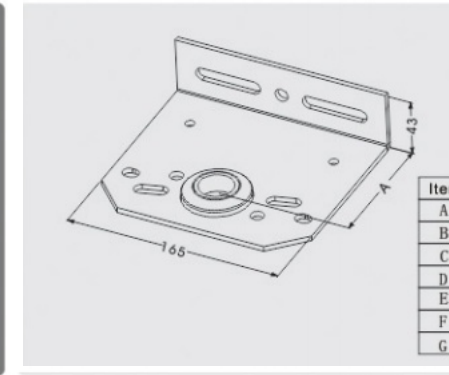
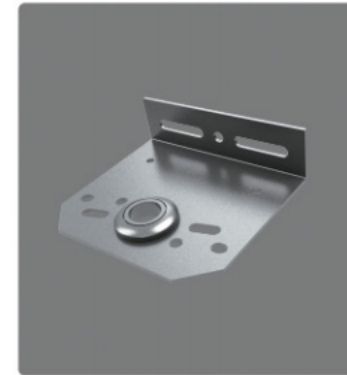
LM-B30004
品名:中心支架
DEC: Adjustable Bearing Bracket
Material:Zinc Plating
Thickness: 2.5mm
Unit:Pair



LM-B40001
品名:A支架
DEC: Installation triangle A type
Material:Zinc Plating
Thickness: 1.5mm
Unit:Pair

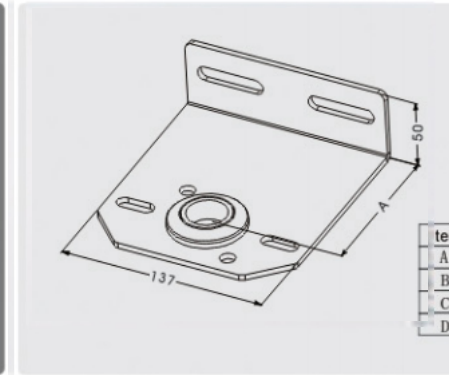


LM-B50001
品名:轴承支架
DEC: Bearing Bracket
Material:Zinc Plating
Thickness: 2.5mm
Unit:Pair



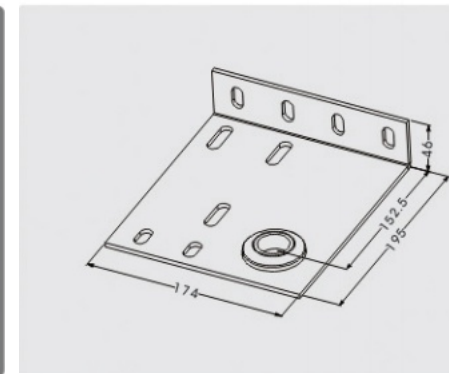
Item	A
A	83
B	105
C	110
D	123
E	148
F	152
G	185

LM-B50003 A/B/C/D/E/F/G
品名:轴承支架
DEC: Bearing Bracket
Material:Zinc Plating
Thickness: 4.0mm
Length:A83/B105/C110
/D123/E148/F152/G185(mm)
Unit:Pair

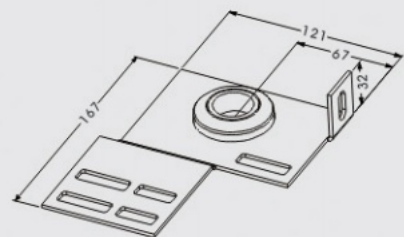
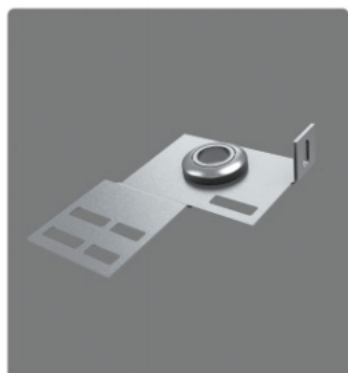


Item	A1
A	86
B	111
C	127
D	152

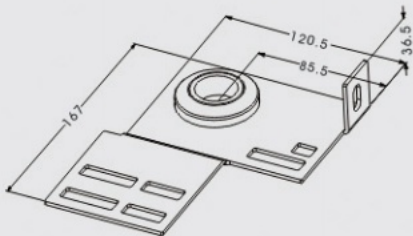
LM-B50004 A/B/C/D
品名:轴承支架
DEC: Bearing Bracket
Material:Zinc Plating
Thickness: 4.0mm
Length:A86/B111/C127
/D152(mm)
Unit:Pair



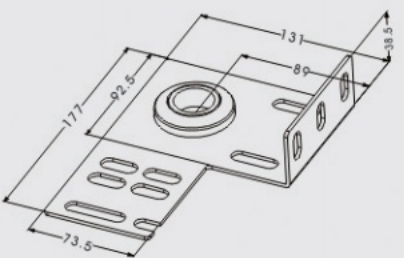
LM-B50005
品名:轴承支架
DEC: Bearing Bracket
Material:Zinc Plating
Thickness: 4.0mm
Unit:Pair



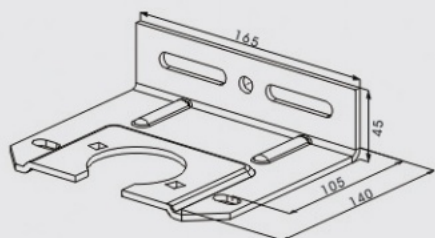
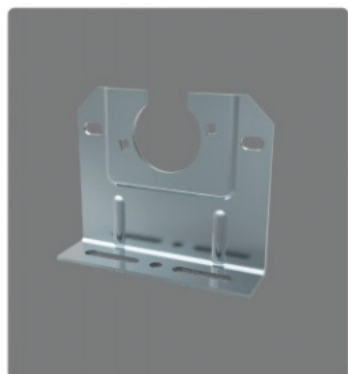
LM-B50006
品名: 轴承支架
DEC: Bearing Bracket
Material: Zinc Plating
Thickness: 2.5mm
Unit: Pair



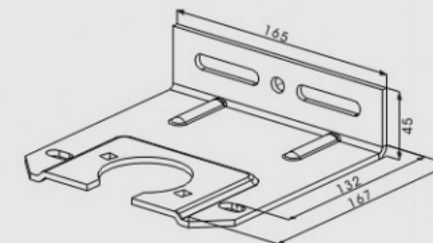
LM-B50007
品名: 轴承支架
DEC: Bearing Bracket
Material: Zinc Plating
Thickness: 2.5mm
Unit: Pair



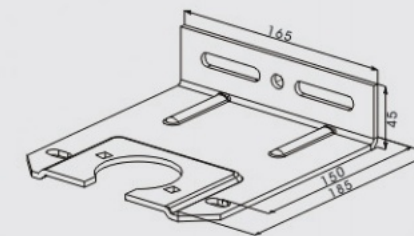
LM-B50008
品名: 轴承支架
DEC: Bearing Bracket
Material: Zinc Plating
Thickness: 2.5mm
Unit: Pair



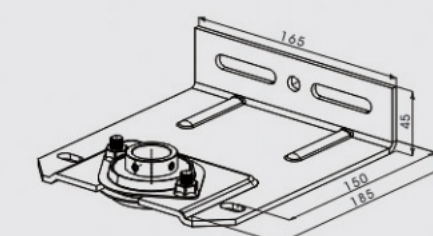
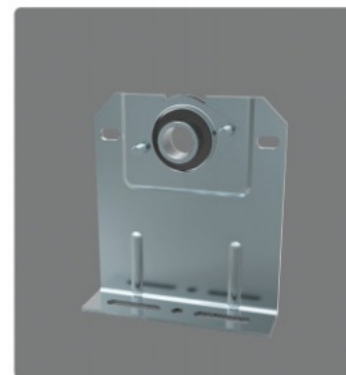
LM-B50009
品名: 支架
DEC: Bracket
Material: Zinc Plating
Thickness: 3.75mm



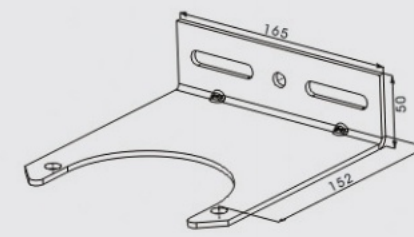
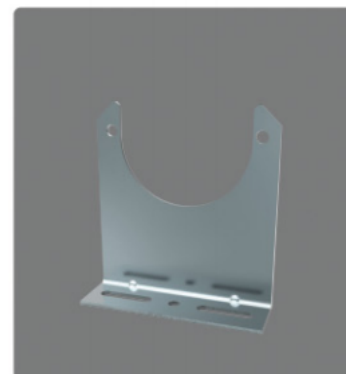
LM-B50010
品名: 支架
DEC: Bracket
Material: Zinc Plating
Thickness: 3.75mm



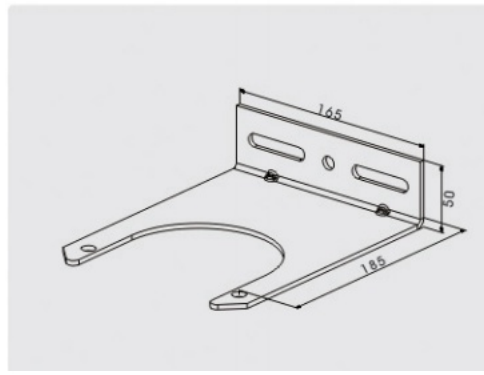
LM-B50011
品名: 支架
DEC: Bracket
Material: Zinc Plating
Thickness: 3.75mm



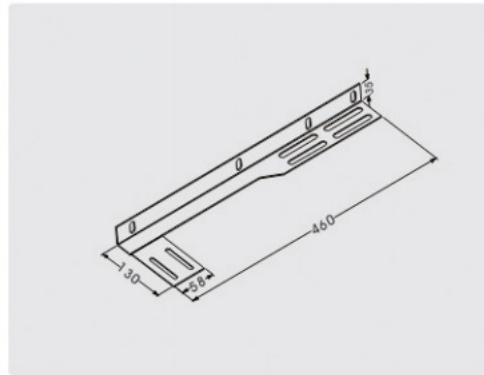
LM-B50012
品名: 支架
DEC: Bracket
Material: Zinc Plating
Thickness: 3.75mm



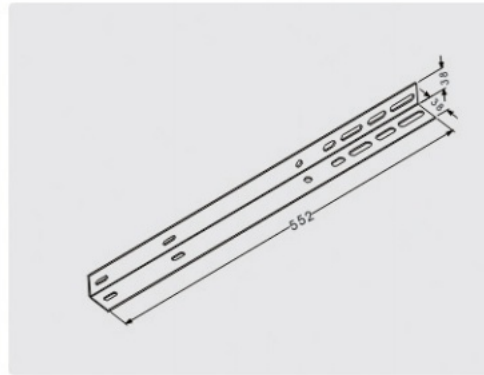
LM-B50013
品名: 子母簧支架 (152)
DEC: Spring Bracket
Material: Zinc Plating
Thickness: 3.75mm



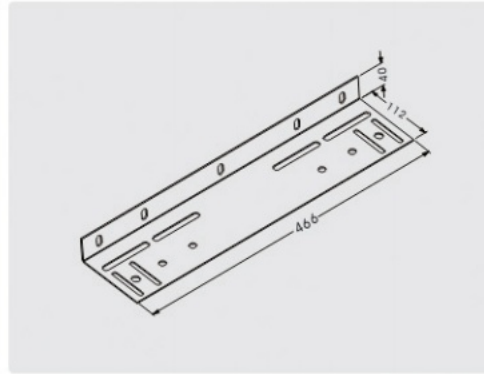
LM-B50014
品名:子母簧支架 (185)
DEC:Spring Bracket
Material:Zinc Plating
Thickness: 3.75mm



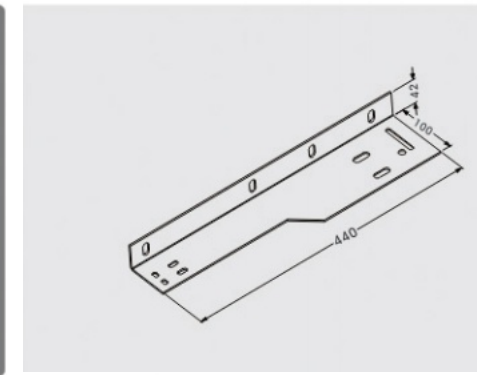
LM-B60001
品名:旗形支架
DEC:Flag-Bracket
Material:Zinc Plating
Thickness: 2.0mm
Unit:Pair



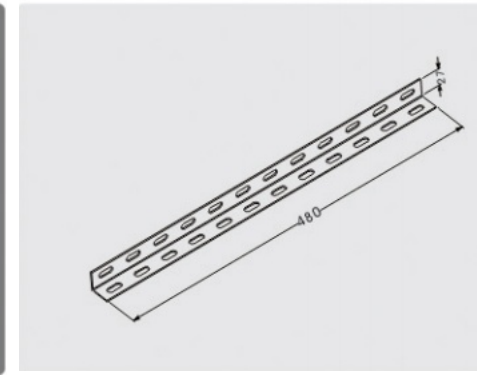
LM-B60002
品名:链接角铁
DEC:Joint Bracket
Material:Zinc Plating
Thickness: 2.3mm



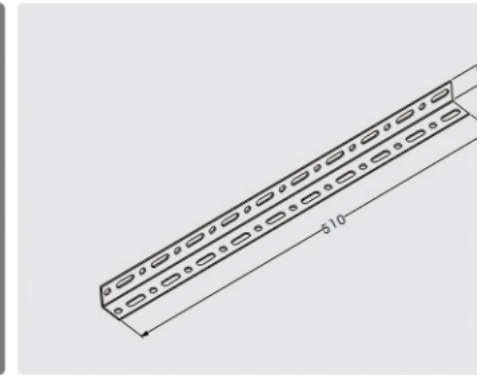
LM-B60003
品名:工业链接角铁
DEC:Joint Bracket
Material:Zinc Plating
Thickness: 2.0mm



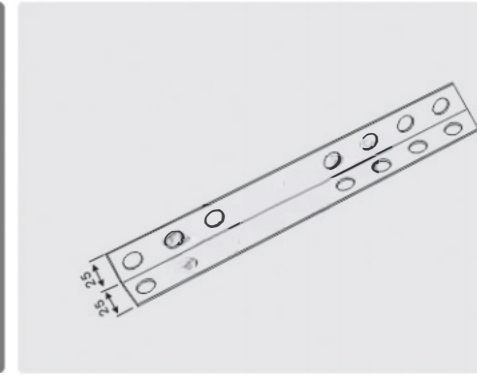
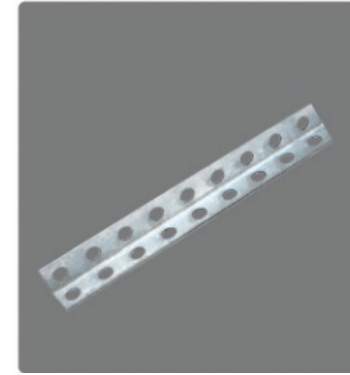
LM-B60004
品名:工业链接角铁
DEC:Joint Bracket
Material:Zinc Plating
Thickness: 2.5mm
Unit:Pair



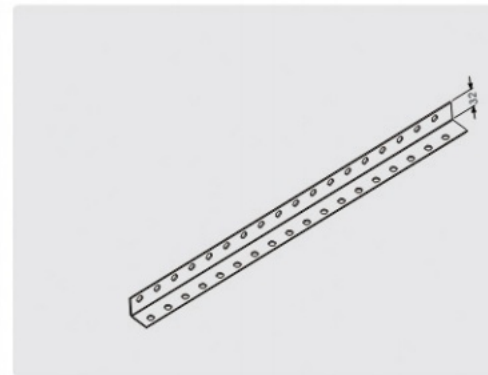
LM-B60005
品名:多孔角铁
DEC:Joint Bracket
Material:Zinc Plating
Thickness: 2.0mm



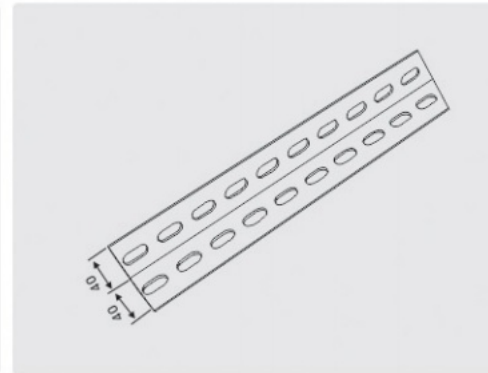
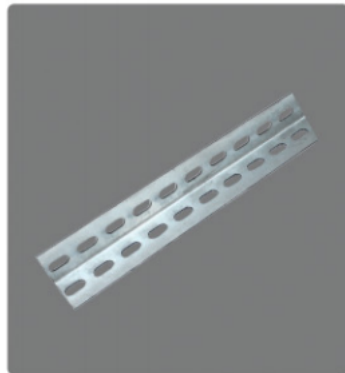
LM-B60006
品名:多孔角铁
DEC:Joint Bracket
Material:Zinc Plating
Thickness: 1.5/2.0mm



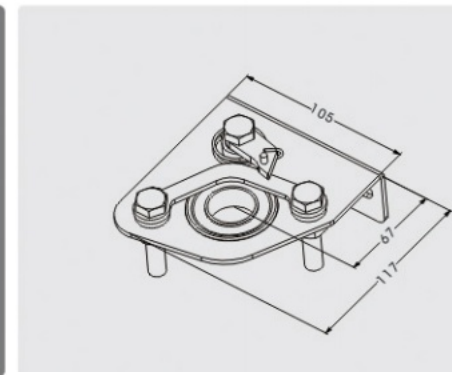
LM-B60007
品名:多孔角铁
DEC:Joint Bracket
Material:Zinc Plating
Thickness: 1.8mm



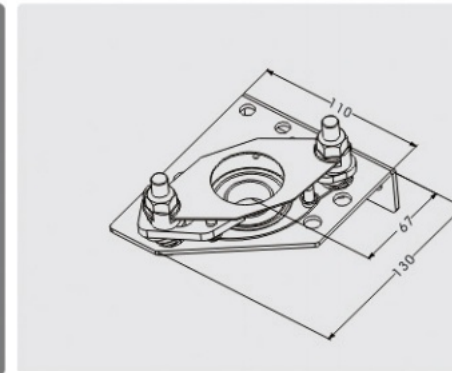
LM-B60008
品名:多孔角铁
DEC:Joint Bracket
Material:Zinc Plating
Thickness: 1.5/2.0mm



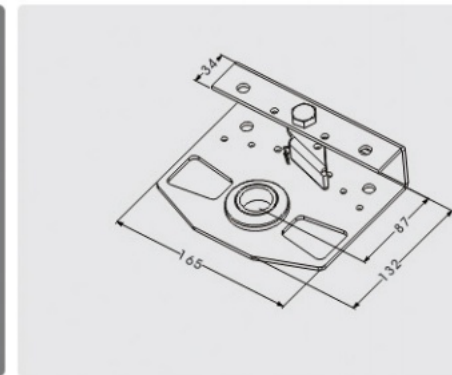
LM-B60009
品名:多孔角铁
DEC:Joint Bracket
Material:Zinc Plating
Thickness:2.5mm



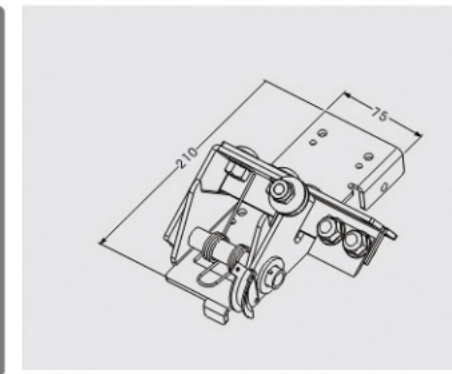
LM-S10001
品名:2"扭簧防断装置
DEC:Spring Break Device
Work with 2"Spring Fitting
Unit:Pair



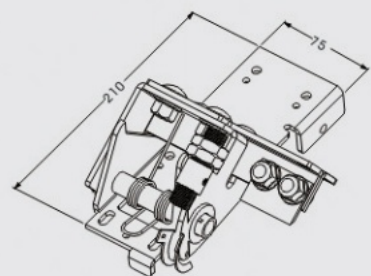
LM-S10002
品名:2"5/8扭簧防断装置
DEC:Spring Break Device
Work with 2 5/8"Spring Fitting
Unit:Pair



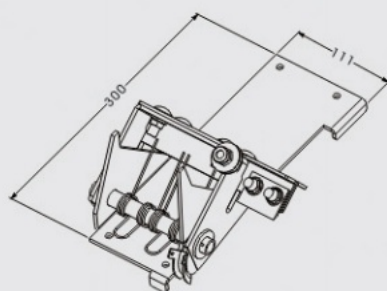
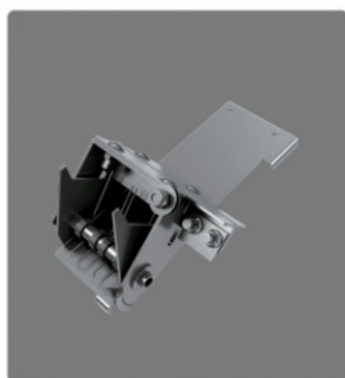
LM-S10004 A/B
品名:大扭簧防断装置
DEC:Spring Break Device
Work with 3 3/4"Spring Fitting
A内孔1"
B内孔1 1/4"
Unit:Pair



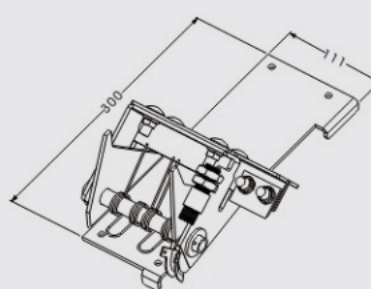
LM-S20001
品名:2"不可调安全支架
DEC:2" Unadjustable Safe
Cable Device
Material:Zinc Plating
Use for 2"Tracks
Unit:Pair



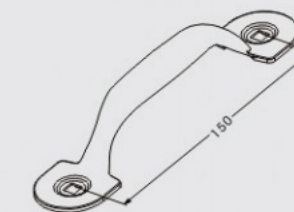
LM-S20002
品名:2"可调安全支架
DEC:2" Adjustable Safe
Cable Device
Material:Zinc Plating
Use for 2"Tracks
Unit:Pair



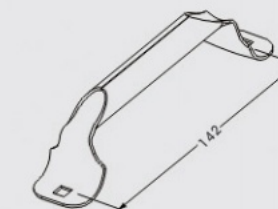
LM-S20003
品名:3"不可调安全支架
DEC:3" Unadjustable Safe
Cable Device
Material:Zinc Plating
Use for 3"Tracks
Unit:Pair



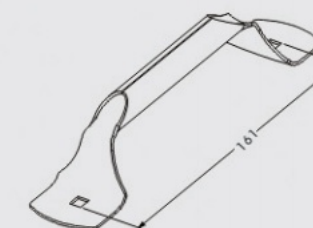
LM-S20004
品名:3"可调安全支架
DEC:3" Adjustable Safe
Cable Device
Material:Zinc Plating
Use for 3"Tracks
Unit:Pair



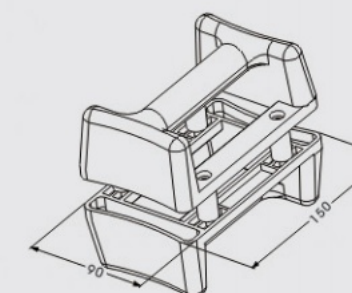
LM-LH10001
品名:圆头把手
DEC:Round Head Lift Handle
Material:Zinc Plating



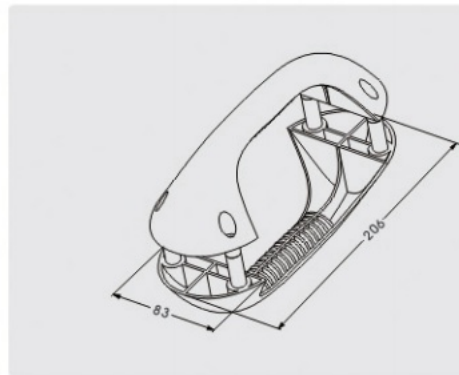
LM-LH10002
品名:现代把手
DEC:Morden Lift Handle
Material:Zinc Plating



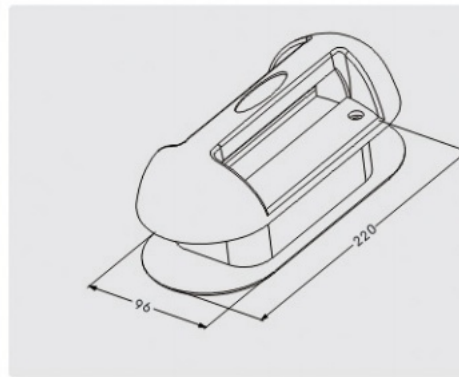
LM-LH10003
品名:大把手
DEC:Big Lift Handle
Material:Zinc Plating



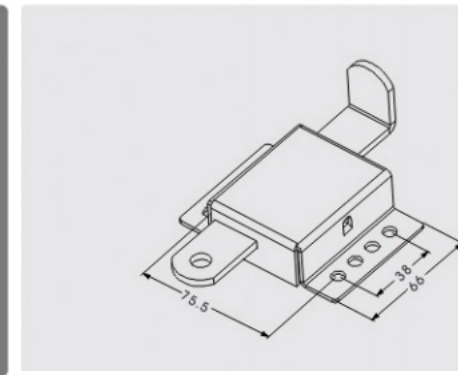
LM-LH20001
品名:工业黑把手
DEC:Industrial Black
Lift Handle
Material:Plastic



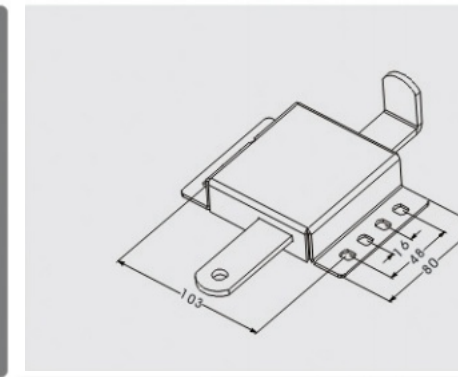
LM-LH20002
品名:工业黑把手
DEC:Industrial Black
Lift Handle
Material:Plastic



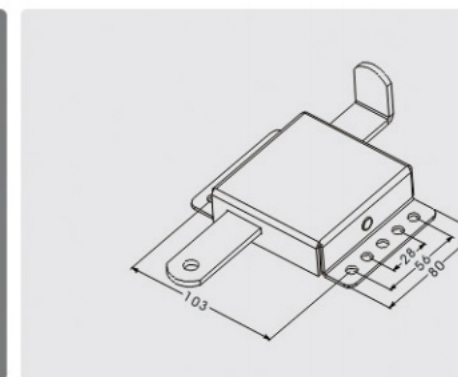
LM-LH20003
品名:工业黑把手
DEC:Industrial Black
Lift Handle
Material:Plastic



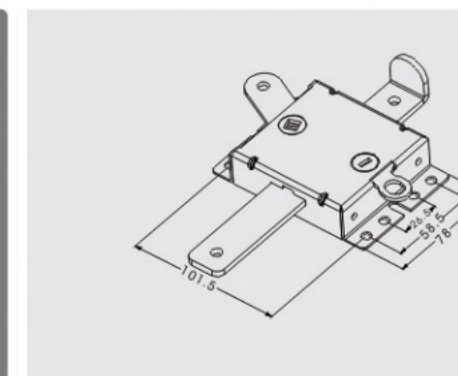
LM-L10001
品名:民用插销
DEC:Residential Latch
Material:Zinc Plating
Thickness of Case:1.5mm
Thickness of Bar:4.0mm



LM-L10002
品名:商业插销
DEC:Commercial Latch
Material:Zinc Plating
Thickness of Case:2.0mm
Thickness of Bar:4.0mm



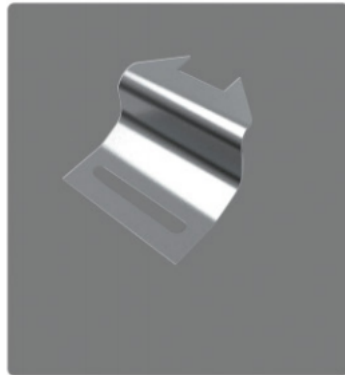
LM-L10003
品名:工业插销
DEC:Industrial Latch
Material:Zinc Plating
Thickness of Case:2.0mm
Thickness of Bar:4.0mm



LM-L10004
品名:大工业插销
DEC:Industrial Latch
Material:Zinc Plating
Thickness of Case:1.5mm
Thickness of Bar:4.0mm



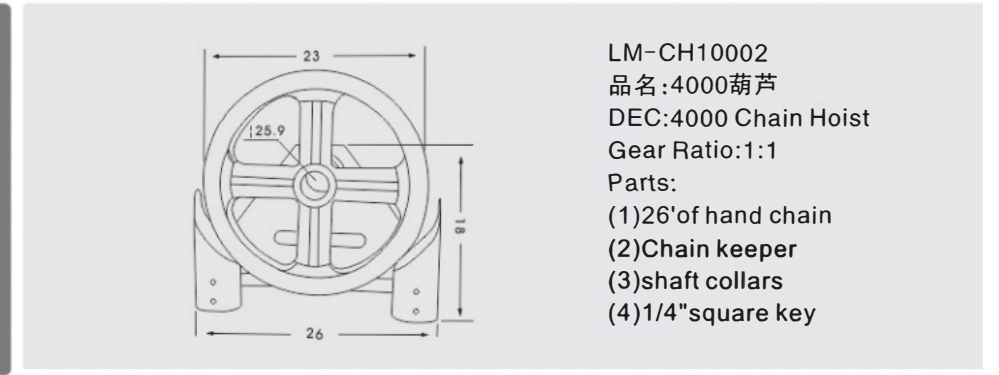
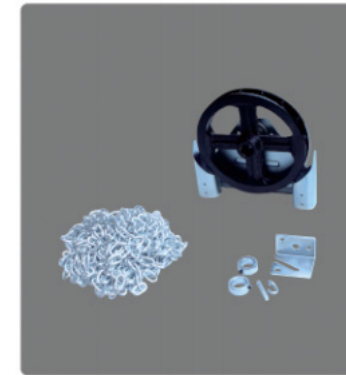
LM-L10006
 品名:自动栓
 DEC:Autolatch
 Material:Zinc Plating
 Thickness of Base Plate:2.3mm
 Thickness of Arm:2.75mm



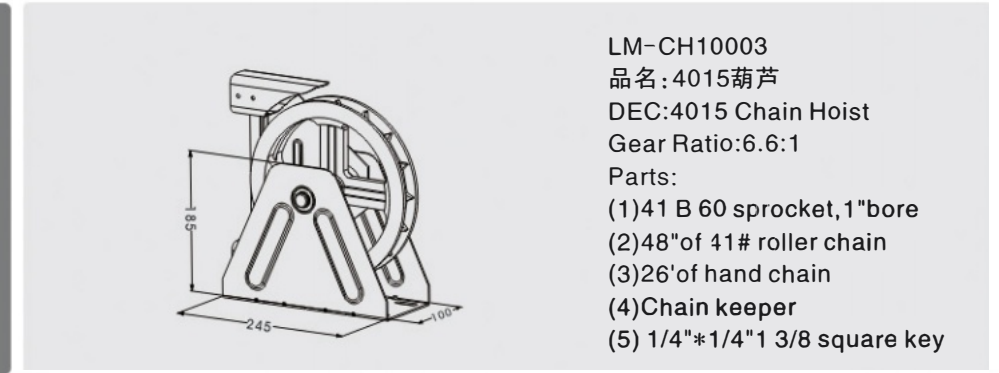
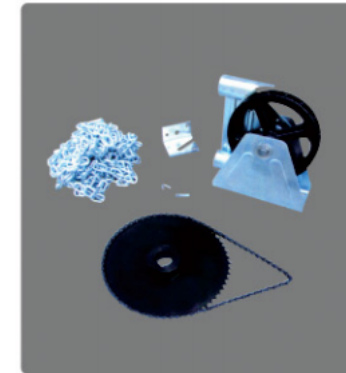
LM-L10007
 品名:撞击片
 DEC:Autolatch Striker
 Material:Zinc Plating
 Thickness:2mm
 Hole Size:7*61mm



LM-CH10001
 品名:4006葫芦
 DEC:4006 Chain Hoist
 Gear Ratio:4:1
 Parts:
 (1)41 B 36 sprocket,1"bore
 (2)36'of 41# roller chain
 (3)26'of hand chain
 (4)Chain keeper
 (5) 1/4"*1/4"1 3/8 square key



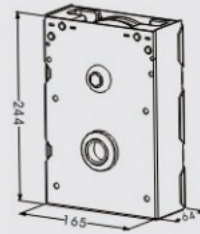
LM-CH10002
 品名:4000葫芦
 DEC:4000 Chain Hoist
 Gear Ratio:1:1
 Parts:
 (1)26'of hand chain
 (2)Chain keeper
 (3)shaft collars
 (4)1/4"square key



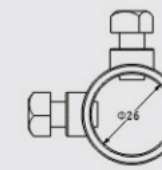
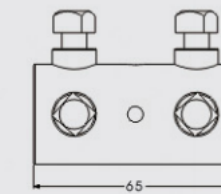
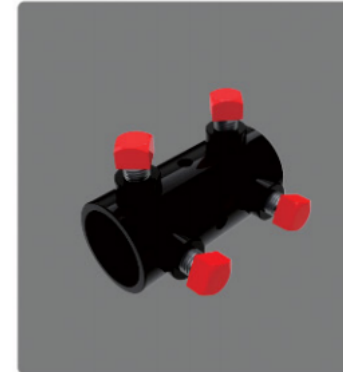
LM-CH10003
 品名:4015葫芦
 DEC:4015 Chain Hoist
 Gear Ratio:6.6:1
 Parts:
 (1)41 B 60 sprocket,1"bore
 (2)48'of 41# roller chain
 (3)26'of hand chain
 (4)Chain keeper
 (5) 1/4"*1/4"1 3/8 square key



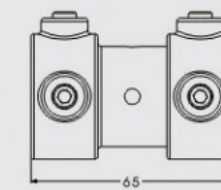
LM-CH10004
 品名:4020葫芦
 DEC:4020 Chain Hoist
 Gear Ratio:4:1
 Parts:
 (1)41 B 36 sprocket,1"bore
 (2)22'of 41# roller chain
 (3)26'of hand chain
 (4)Chain keeper
 (5) 1/4"*1/4"1 3/8 square key



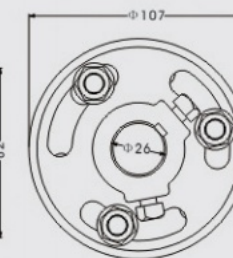
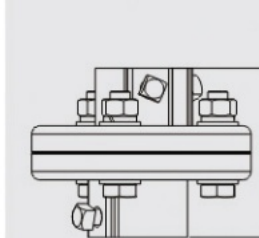
LM-CH10005
 品名: 方葫芦
 DEC: Chain Hoist
 Gear Ratio: 4:1
 Parts:
 (1) 41 B 36 sprocket, 1" bore
 (2) 22' of 41# roller chain
 (3) 26' of hand chain
 (4) Chain keeper
 (5) 1/4" x 1/4" x 1 3/8 square key



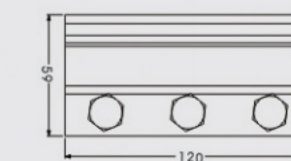
LM-C10001
 品名: 联轴器
 DEC: Shaft Coupler
 Material: Iron Tube
 Finish: Black Zinc Plating
 Include Screw



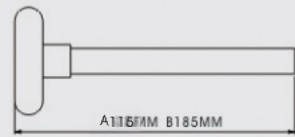
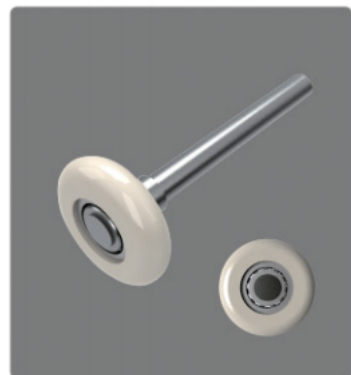
LM-C10002
 品名: 联轴器
 DEC: Shaft Coupler
 Material: Aluminum
 Include Screw



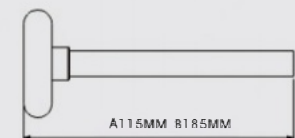
LM-C10004
 品名: 联轴器
 DEC: Shaft Coupler
 Material: Cast Iron
 Finish: Spray Paint
 Include Screw



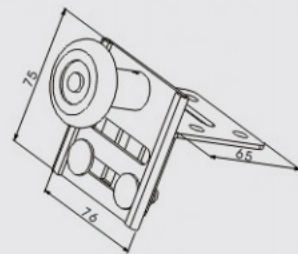
LM-C10005
 品名: 联轴器
 DEC: Shaft Coupler
 Material: Aluminum
 Include Screw



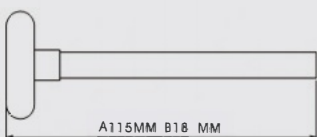
LM-R10001 A/B
品名: 2"尼龙滚轮
DEC: Nylon Roller
Material: Nylon, Carbon Steel
Suitable for 2" Track



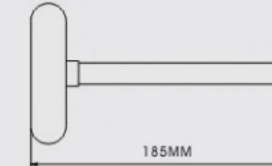
LM-R10002 A/B
品名: 2"尼龙滚轮 (6200轴承)
DEC: Nylon Roller
Material: Nylon, Carbon Steel
Suitable for 2" Track
Include Bearing



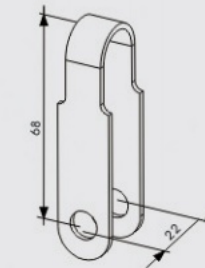
LM-R10003
品名: 尼龙滚轮
DEC: Nylon Roller
Material: Nylon, Zinc Plating



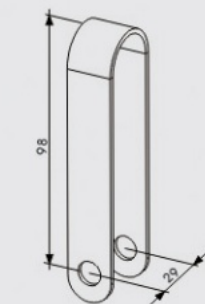
LM-R20001 A/B
品名: 2"铁滚轮
DEC: Steel Roller
Material: Nylon, Carbon Steel
Suitable for 2" Track



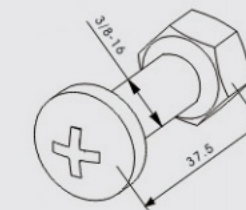
LM-R20002
品名: 3"铁滚轮
DEC: Steel Roller
Material: Nylon, Carbon Steel
Suitable for 3" Track



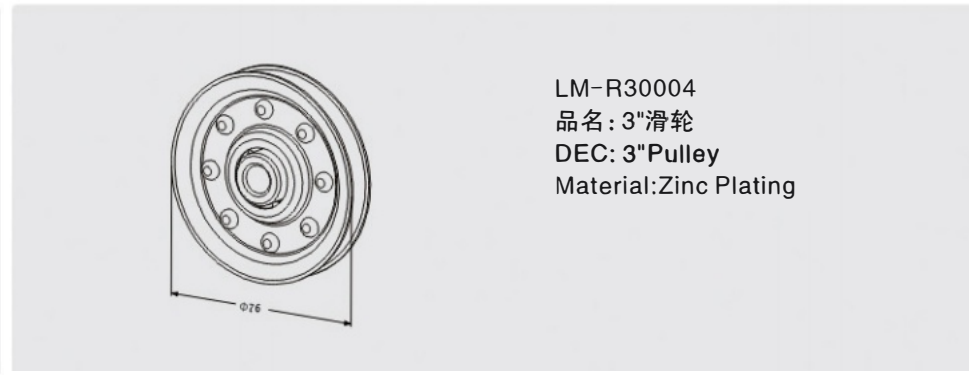
LM-R30001
品名: 3"滑轮夹板
DEC: 3" Pulley Clamp
Material: Zinc Plating
Thickness: 1.8mm



LM-R30002
品名: 4"滑轮夹板
DEC: 4" Pulley Clamp
Material: Zinc Plating
Thickness: 2.75mm



LM-R30003
品名: 夹板螺丝
DEC: 3/8-16 Screw and Nut
Material: Zinc Plating



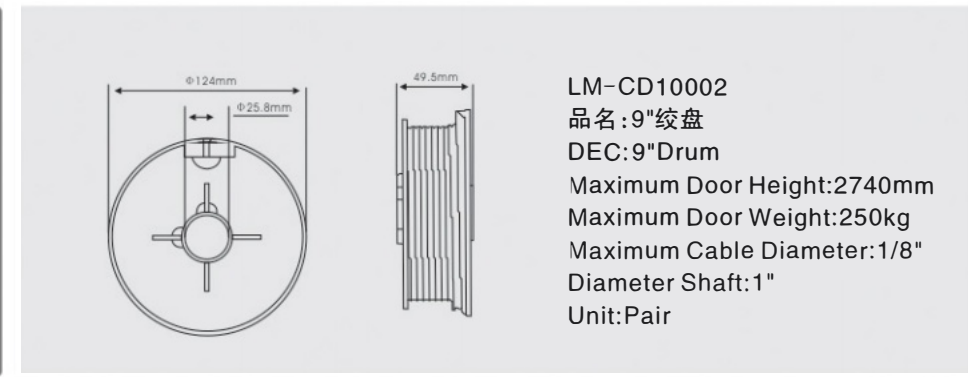
LM-R30004
品名: 3"滑轮
DEC: 3"Pulley
Material: Zinc Plating



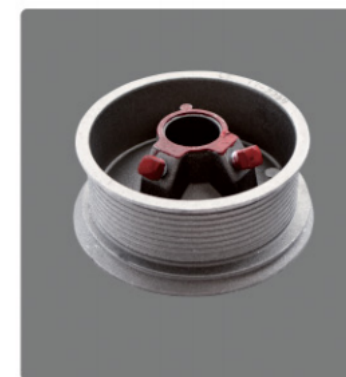
LM-R30005
品名: 4"滑轮
DEC: 4"Pulley
Material: Zinc Plating



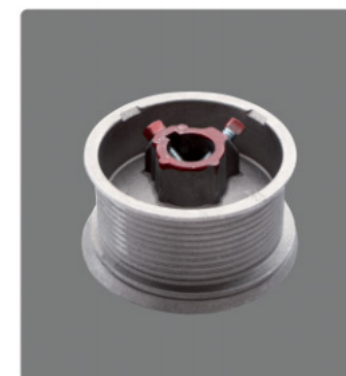
LM-CD10001
品名: 8"绞盘
DEC: 8"Drum
Maximum Door Height: 2440mm
Maximum Door Weight: 240kg
Maximum Cable Diameter: 1/8"
Diameter Shaft: 1"
Unit: Pair



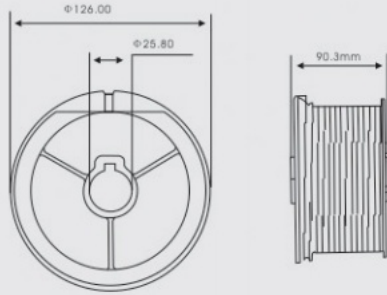
LM-CD10002
品名: 9"绞盘
DEC: 9"Drum
Maximum Door Height: 2740mm
Maximum Door Weight: 250kg
Maximum Cable Diameter: 1/8"
Diameter Shaft: 1"
Unit: Pair



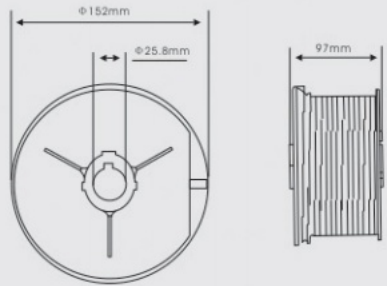
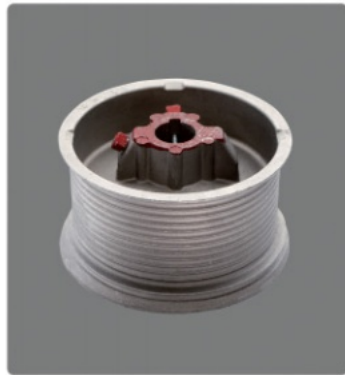
LM-CD10003
品名: 11"绞盘
DEC: 11"Drum
Maximum Door Height: 3352mm
Maximum Door Weight: 260kg
Maximum Cable Diameter: 1/8"
Diameter Shaft: 1"
Unit: Pair



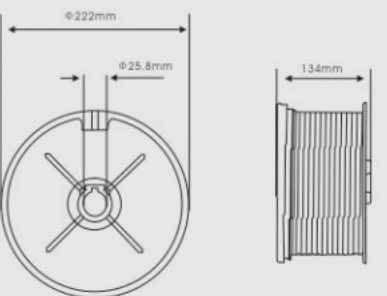
LM-CD10004
品名: 12"绞盘
DEC: 12"Drum
Maximum Door Height: 3650mm
Maximum Door Weight: 340kg
Maximum Cable Diameter: 5/32"
Diameter Shaft: 1"
Unit: Pair



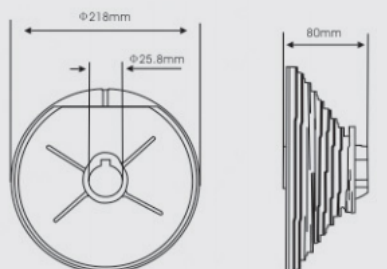
LM-CD10005
品名:13"绞盘
DEC:13"Drum
Maximum Door Height:3965mm
Maximum Door Weight:340kg
Maximum Cable Diameter:5/32"
Diameter Shaft:1"
Unit:Pair



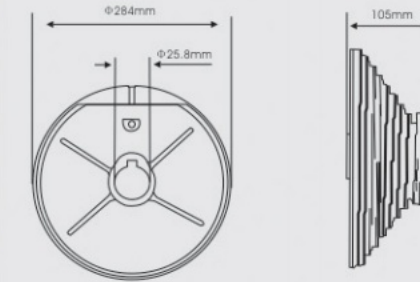
LM-CD10006
品名:18"绞盘
DEC:18"Drum
Maximum Door Height:5500mm
Maximum Door Weight:680kg
Maximum Cable Diameter:3/16"
Diameter Shaft:1"
Unit:Pair



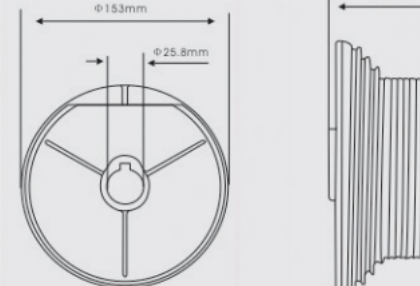
LM-CD10007
品名:32"绞盘
DEC:32"Drum
Maximum Door Height:9750mm
Maximum Door Weight:700kg
Maximum Cable Diameter:1/4"
Diameter Shaft:1"
Unit:Pair



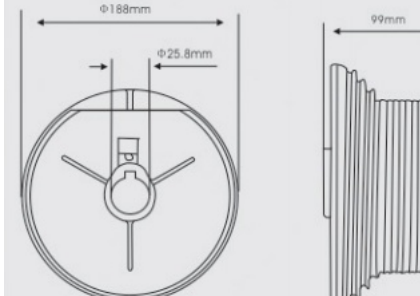
LM-CD20001
品名:11"塔盘
DEC:11"VL Drum
Maximum Door Height:3350mm
Maximum Door Weight:500kg
Maximum Cable Diameter:3/16"
Diameter Shaft:1"
Unit:Pair



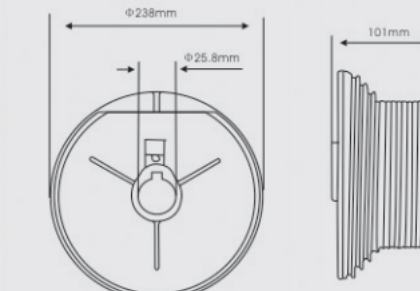
LM-CD20002
品名:18"塔盘
DEC:18"VL Drum
Maximum Door Height:5480mm
Maximum Door Weight:500kg
Maximum Cable Diameter:3/16"
Diameter Shaft:1"
Unit:Pair



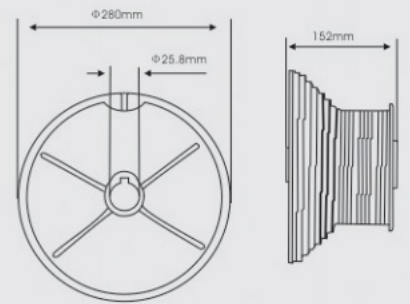
LM-CD30001
品名:4-54HL绞盘
DEC:4-54HL Drum
Maximum Hilift:1375mm
Maximum Door Height:4275mm
Maximum Door Weight:250kg
Maximum Cable Diameter:5/32"
Diameter Shaft:1"
Unit:Pair



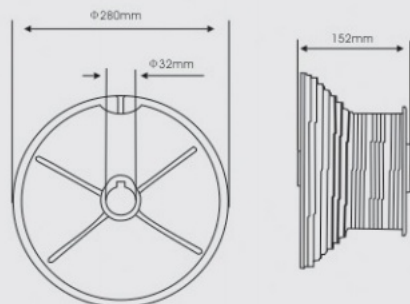
LM-CD30002
品名:5-54HL绞盘
DEC:5-54HL Drum
Maximum Hilift:1370mm
Maximum Door Height:6170mm
Maximum Door Weight:500kg
Maximum Cable Diameter:3/16"
Diameter Shaft:1"
Unit:Pair



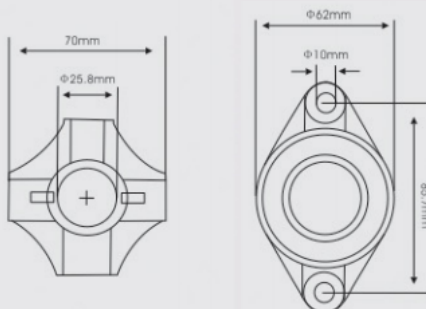
LM-CD30003
品名:120HL绞盘
DEC:120HL Drum
Maximum Hilift:3050mm
Maximum Door Height:6860mm
Maximum Door Weight:450kg
Maximum Cable Diameter:3/16"
Diameter Shaft:1"
Unit:Pair



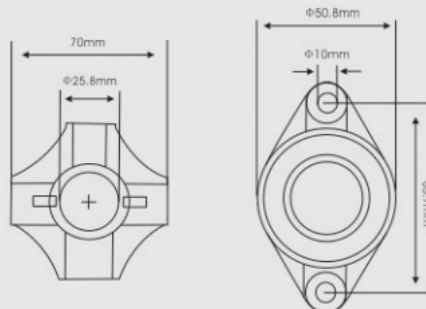
LM-CD30004
 品名:164HL绞盘
 DEC:164HL Drum
 Maximum Hilift:4165mm
 Maximum Door Height:10165mm
 Maximum Door Weight:575kg
 Maximum Cable Diameter:1/4"
 Diameter Shaft:1"
 Unit:Pair



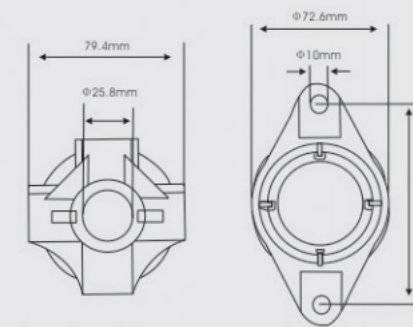
LM-CD30005
 品名:164HL-125绞盘
 DEC:164HL-125 Drum
 Maximum Hilift:4165mm
 Maximum Door Height:10165mm
 Maximum Door Weight:575kg
 Maximum Cable Diameter:1/4"
 Diameter Shaft:1-1/4"
 Unit:Pair



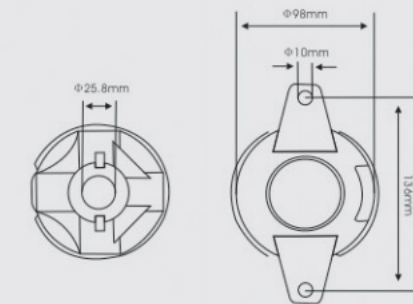
LM-CD40001
 品名:1-3/4"U接头
 DEC:1-3/4"U Spring Fittings
 Spring Fittings 44mm
 For Shaft 1"
 A pair Includes
 -1 Universal Winding Cone
 -1 Universal Stationary Cone
 Unit:Pair



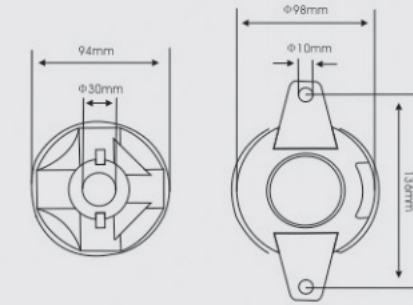
LM-CD40002
 品名:2"U接头
 DEC:2"U Spring Fittings
 Spring Fittings 50mm
 For Shaft 1"
 A pair Includes
 -1 Universal Winding Cone
 -1 Universal Stationary Cone



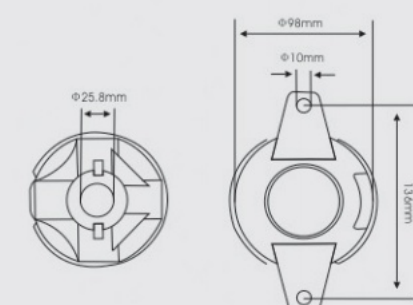
LM-CD40003
 品名:2-5/8"U接头
 DEC:2-5/8"U Spring Fittings
 Spring Fittings 67mm
 For Shaft 1"
 A pair Includes
 -1 Universal Winding Cone
 -1 Universal Stationary Cone
 Unit:Pair



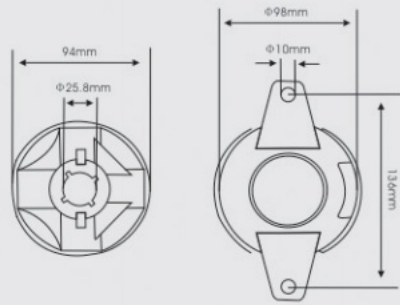
LM-CD40004
 品名:3-3/4"U接头
 DEC:3-3/4"U Spring Fittings
 Spring Fittings 95mm
 Universal Left and Right
 For Shaft 1"
 A pair Includes
 -1 Universal Winding Cone
 -1 Universal Stationary Cone
 Unit:Pair



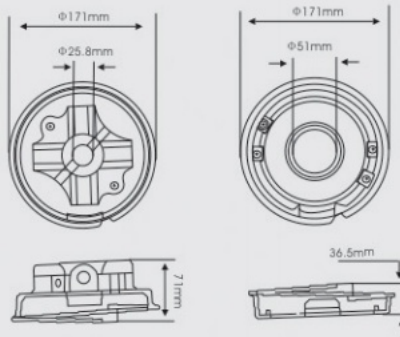
LM-CD40005
 品名:3-3/4"U-125接头
 DEC:3-3/4"U-125 Spring Fittings
 Spring Fittings 95mm
 Universal Left and Right
 For Shaft 1-1/4"
 A pair Includes
 -1 Universal Winding Cone
 -1 Universal Stationary Cone
 Unit:Pair



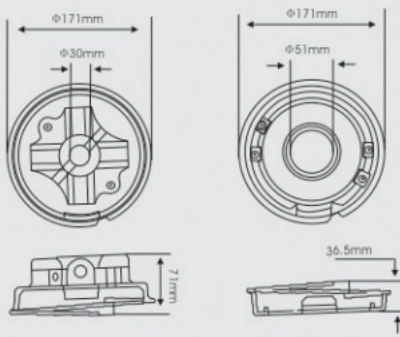
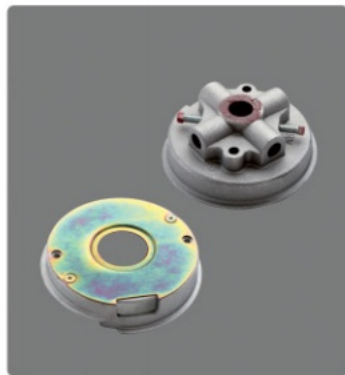
LM-CD40006
 品名:3-3/4"NU接头
 DEC:3-3/4"NU Spring Fittings
 Spring Fittings 95mm
 Universal Left and Right For Shaft 1"
 The Set includes
 -1 Winding Cone Left
 -1 Winding Cone Right
 -1 Stationary Cone Left
 -1 Stationary Cone Right
 Unit:Pair



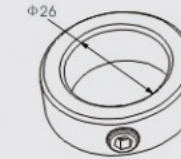
LM-CD40007
 品名: 3-3/4"-4KW-NU接头
 DEC: 3-3/4"-4KW-NU Spring Fittings
 Universal Left and Right For Shaft 1"
 The Set Includes
 -1 Winding Cone Left
 -1 Winding Cone Right
 -1 Stationary Cone Left
 -1 Stationary Cone Right
 Unit: Pair



LM-CD40008
 品名: 6"接头
 DEC: 6" Spring Fittings
 Spring Fittings 152mm
 For Shaft 1"
 The Set Includes
 -1 Winding Cone Left
 -1 Winding Cone Right
 -1 Stationary Cone Left
 -1 Stationary Cone Right
 Unit: Pair



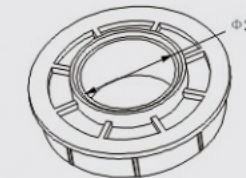
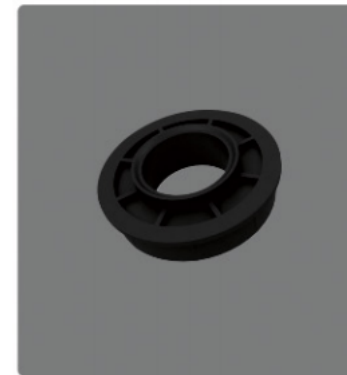
LM-CD40009
 品名: 6"-125接头
 DEC: 6"-125 Spring Fittings
 Spring Fittings 152mm
 For Shaft 1-1/4"
 The Set includes
 -1 Winding Cone Left
 -1 Winding Cone Right
 -1 Stationary Cone Left
 -1 Stationary Cone Right
 Unit: Pair



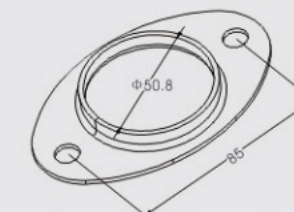
LM-M10001
 品名: 1#套圈
 DEC: 1" Ferrule
 For Use With Fixing 1" Bearing



LM-M10002
 品名: 1#轴承
 DEC: 1" Bearing
 Material: Carbon Steel



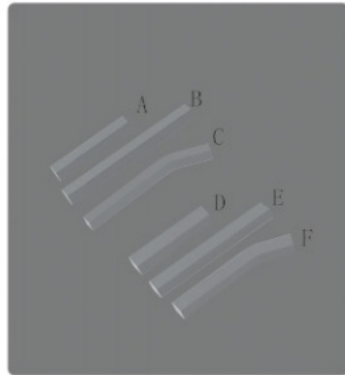
LM-M10003
 品名: 塑料轴承
 DEC: Plastic Bearing



LM-M10004
 品名: 轴承套
 DEC: Bearing Sleeve
 Material: Zinc Plating
 Thickness: 1.5mm



LM-M10005
品名:三眼夹板
DEC:Three-eyes Splint
Material:Zinc Plating
Thickness:1.5mm



LM-M10006 A/B/C/D/E/F
品名:键槽
DEC:Key Way
Material:Zinc Plating

A: 6.35x6.35x75	D: 6.35x9.53x75
B: 6.35x6.35x100	E: 6.35x9.53x100
C: 6.35x6.35x75	F: 6.35x9.53x75



LM-M10007
品名:小号弹簧助推器
DEC:Small Size Pusher Spring
Material:Zinc Plating
Thickness:2.5mm



LM-M10008
品名:15"弹簧助推器
DEC:15"Pusher Spring
Material:Zinc Plating
Thickness:2.3mm



LM-M10009
品名:27"弹簧助推器
DEC:27"Pusher Spring
Material:Zinc Plating
Thickness:2.3mm



LM-M10010
品名:紧急锁
DEC:Emergency Lock
Material:Chrome Plated



LM-M10011
品名:紧急锁
DEC:Emergency Lock
Material:Chrome Plated



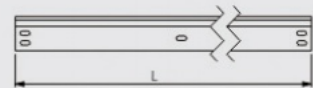
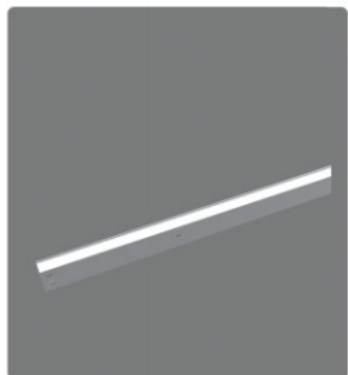
LM-M10012
品名:钢丝绳
DEC:Steel Cable
The Diameter:3.0MM 7*7
The Diameter:3.0MM 7*19



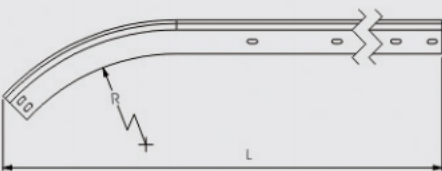
LM-M10013
品名:钢丝绳
DEC:Steel Cable
The Diameter:4.0MM 7*7
The Diameter:4.0MM 7*19



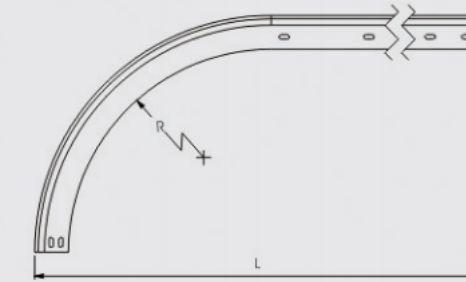
LM-M10014
品名:钢丝绳
DEC:Steel Cable
The Diameter:5.0MM 7*7
The Diameter:5.0MM 7*19



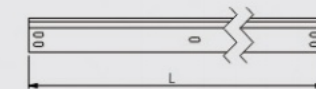
LM-M10015
品名:直轨
DEC:Vertical Track
Material:Galvanize
Thickness:1.5mm



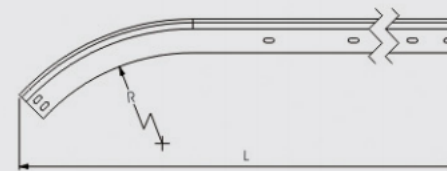
LM-M10016
品名:小弯轨
DEC:Horizontal Track
Material:Galvanize
Thickness:1.5mm



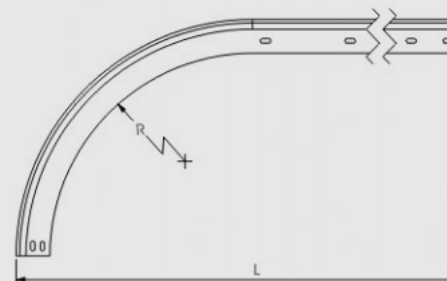
LM-M10017
品名:大弯轨
DEC:Horizontal Track
Material:Galvanize
Thickness:1.5mm



LM-M10018
品名:直轨
DEC:Vertical Track
Material:Galvanize
Thickness:2.0mm



LM-M10019
品名:小弯轨
DEC:Horizontal Track
Material:Galvanize
Thickness:2.0mm



LM-M10020
品名:大弯轨
DEC:Horizontal Track
Material:Galvanize
Thickness:2.0mm

